

COLLECTION 2022
STAINLESS STEEL KITCHEN SINKS AND FAUCETS

CARYSIL
Steeltechnik

SINKS, FAUCETS AND FOOD WASTE DISPOSERS





CARYSIL

About	02
The Company	03
The Design	10
Why Carysil Sinks & Faucets	16
Workstation Sinks	19
PVD Sinks Collection	52
Farmhouse Series	64
SS Kitchen Sinks	72
Faucet Collection	160
Drying Channel	170
Planters	175
FWD	177
Product Summary	179



STEEL HEART OF
THE KITCHEN





ABOUT

The Company

Around The World

Social Responsibility



Chirag A. Parekh
Chairman & Managing Director

Founded in India in 1989 by Late Shree Aswhin M. Parekh, the Carysil Group has come a long way since it produced its first kitchen sink. 30 years later his son, CMD Chirag A. Parekh, has lead us into becoming one of the largest producers of quartz kitchen sinks in the world, under our brand Carysil. Now reaching customers in over 50+ countries we are one of the largest producer of quartz kitchen sinks in the world.

Our innovative and design-led approach to production is what sets us apart in the market place. The revolutionary Carysil quartz composite kitchen sinks is what we're best known for, thanks to its high-design look and toughened finish.

Our expertise with German Technology has paved the way for diversifying into stainless steel kitchen sinks. We now successfully make and market stainless steel sinks, taps, food waste disposer units, and kitchen appliances like hobs and cooktops, ovens, wine chillers and dishwashers.

Carysil is experiencing unprecedented global growth thanks to the success of our luxury kitchen range. A hugely popular brand in the US, UK, Germany, Canada and China, the Far East and Gulf countries , our future looks bright.

THE COMPANY



AROUND THE WORLD



You can discover our entire kitchen range in 6 continents and in over 50+ countries through our established and ever-expanding worldwide network of retail partners including the North and South America

United Kingdom, Canada, China, Germany,

France, the Far East and the Gulf states; and through our subsidiaries in the UK, Germany and the United States of America



THE DESIGN

Our Approach

The Technology

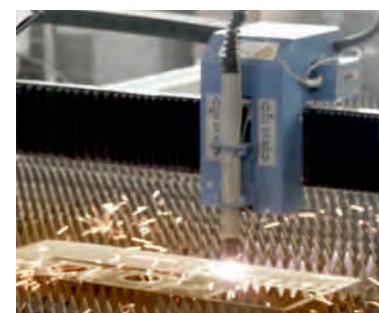


OUR APPROACH

All Carysil products are born ingrained with 30 years of constantly evolving technological excellence that merges function with trendsetting form. Our collaborations and historical expertise ensures that we always remain at the cutting edge of innovation.

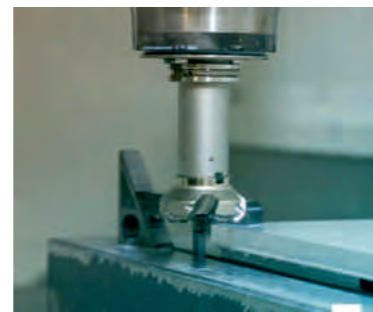
THE TECHNOLOGIES

When a steel sink is manufactured, use of high-end technology is ensured. At different stages of manufacturing, Laser Welding forms an integral part of these fabricated sinks. Our high-performance lasers are used to weld with accurate precision at the sink corners which gives us the flexibility to make the radius from 0 to 10 and also higher radiuses.



Laser cutting is one of the most important components of technology. Since the first cut decides the final product, we use the most advance and high-performance laser cutting machine. This helps in cutting with precision, which eventually helps for precision bending and punching.

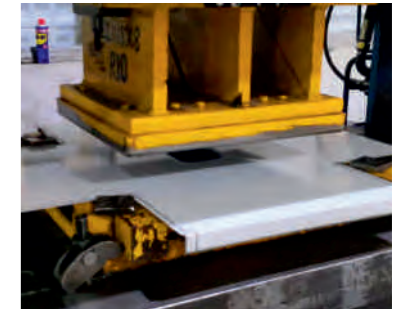
On a 5-axis milling machine, we process advance tool forming moulds which ensures variety in all design formations for making jigs and fixtures.



Deep drawing is a sheet metal forming process in which a sheet metal blank is radially drawn into a forming die by the mechanical action of a punch. It is thus a shape transformation process with material retention. The process is considered “deep” drawing when the depth of the drawn part exceeds its diameter. This is achieved by redrawing the part through a series of dies.

STEELTECHNIK

A press brake is a machine pressing tool for bending sheet and plate material, most commonly sheet metal. It forms predetermined bends by clamping the work piece between a matching punch and die.



Laser marking is a non-contact printing method that marks or engraves high quality 1D or 2D bar barcodes, multiple lines of text, batch number, lot codes, logos etc. on various products for tracking and tracing purposes.

Laser welding operated by a robot is a highly precised computer controlled welding process which gives excellent seam surfaces even at high welding speeds.



PVD has comparatively high hardness compared to conventional stainless steel sinks, high scratch, abrasion and corrosive resistance. They also resist salts, acids and detergent products present in domestic environment. PVD sinks remain truly a green product because no harmful chemicals are released into the environment while making them. The sinks are 100% suitable for food use. With this technology different finishes like, rose gold, yellow gold, gun metal and other vintage finishes are achieved.



WHY CARYSIL SINKS & FAUCETS

Carysil produces the widest range of stainless steel kitchen sinks and faucets. They are fabricated by employing cutting-edge hydraulic press technology. Every masterpiece is carved out of 304 Grade stainless steel, providing you with extra long years of life and usage.

Carysil bowls are generously large, easily making them the preferred choice. They are especially crafted for modern day designer kitchens, and are available in their exacting design and dimension

STAINLESS STEEL
KITCHEN SINKS





INTRODUCING
STAINLESS STEEL WORKSTATION



WALTZ 550 R10










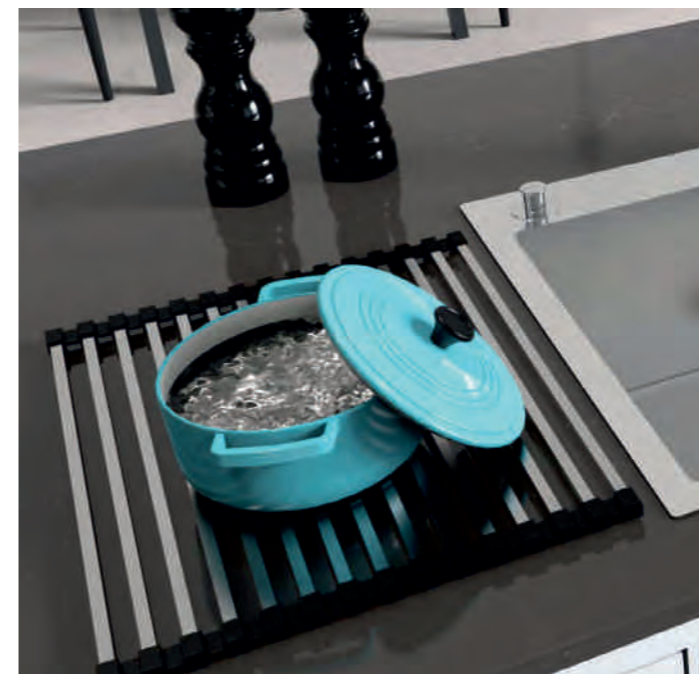
WALTZ 550 R10

STEEL GRADE AISI 304

INNOVATIVE FEATURES

Supplied with Accessories like

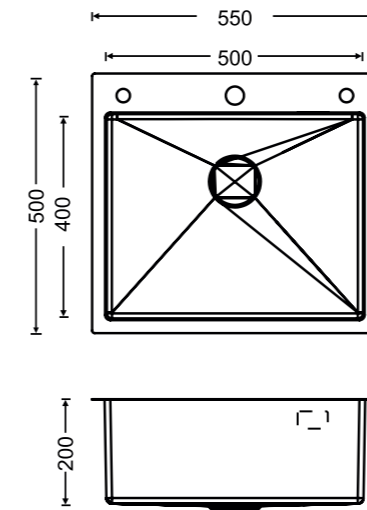
-  Wooden Chopping Board
-  Colander
-  Fold Matt
-  Flexible Basket
-  Bottom Mesh
-  Soap Dispenser
-  Plumbing Kit



WALTZ 550 R10 WITH FAUCET INOX 100



TECHNICAL DETAILS



SEMI LOADED



PLUMBING KIT



INOX 100



SOAP DISPENSER

FULLY LOADED



PLUMBING KIT



SOAP DISPENSER



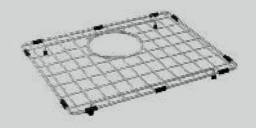
INOX 100



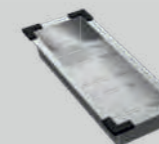
CHOPPING BOARD



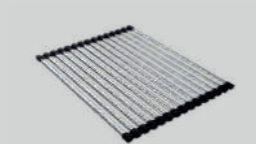
FLEXIBLE BASKET



BOTTOM MESH



COLANDER

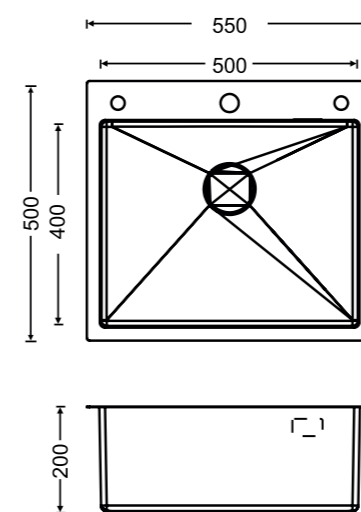


FOLD MATT

WALTZ 550 R10 WITH FAUCET INOX 101



TECHNICAL DETAILS



SEMI LOADED



PLUMBING KIT



INOX 101



SOAP DISPENSER

FULLY LOADED



PLUMBING KIT



SOAP DISPENSER



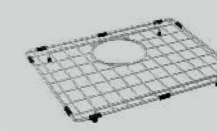
INOX 101



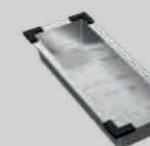
CHOPPING BOARD



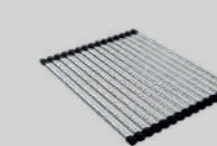
FLEXIBLE BASKET



BOTTOM MESH



COLANDER

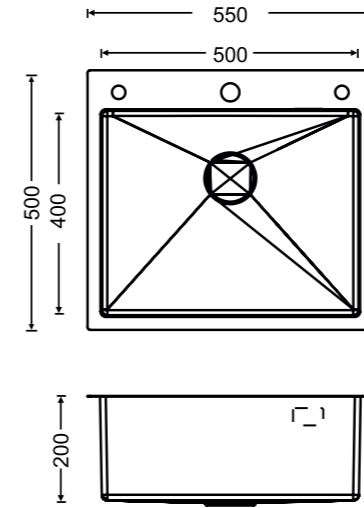


FOLD MATT

WALTZ 550 R10 WITH FAUCET INOX 102



TECHNICAL DETAILS



SEMI LOADED



PLUMBING KIT



INOX 102



SOAP DISPENSER

FULLY LOADED



PLUMBING KIT



SOAP DISPENSER



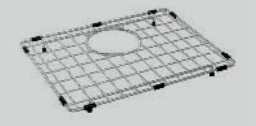
INOX 102



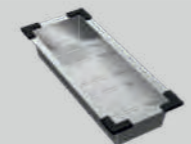
CHOPPING BOARD



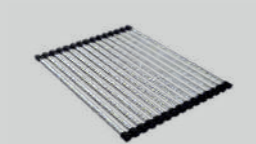
FLEXIBLE BASKET



BOTTOM MESH

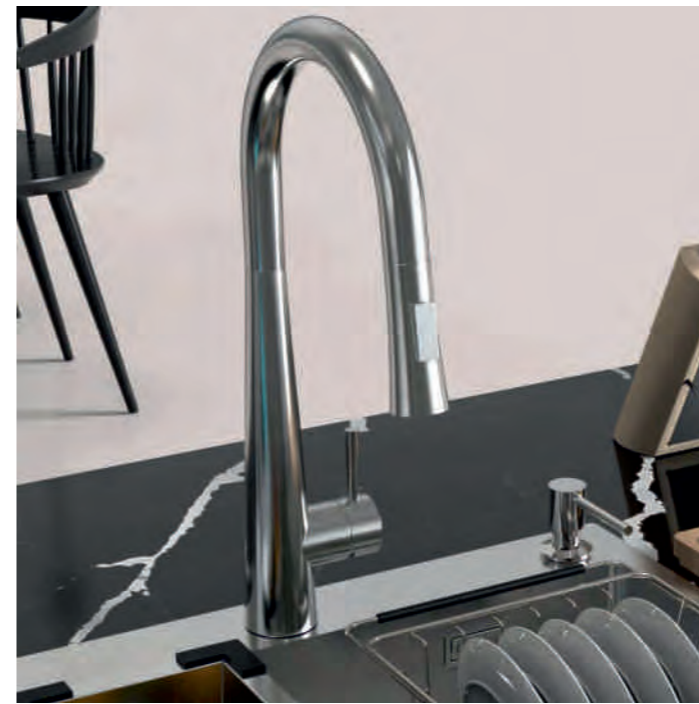


COLANDER



FOLD MATT












WALTZ 610 R10

STEEL GRADE AISI 304

INNOVATIVE FEATURES

Supplied with Accessories like

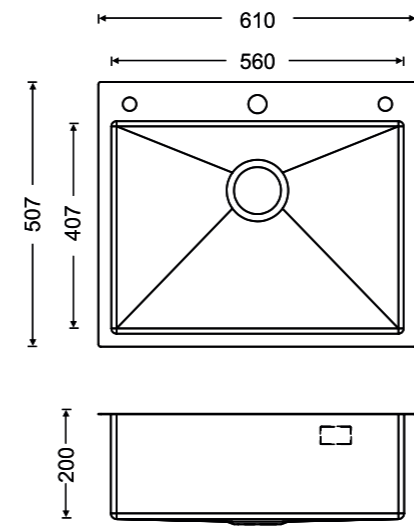
-  Wooden Chopping Board
-  Colander
-  Fold Matt
-  Flexible Basket
-  Bottom Mesh
-  Soap Dispenser
-  Plumbing Kit



WALTZ 610 R10 WITH FAUCET INOX 100



TECHNICAL DETAILS



SEMI LOADED



PLUMBING KIT



INOX 100



SOAP DISPENSER

FULLY LOADED



PLUMBING KIT



SOAP DISPENSER



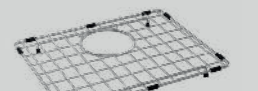
INOX 100



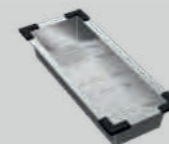
CHOPPING BOARD



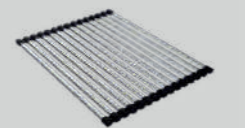
FLEXIBLE BASKET



BOTTOM MESH



COLANDER

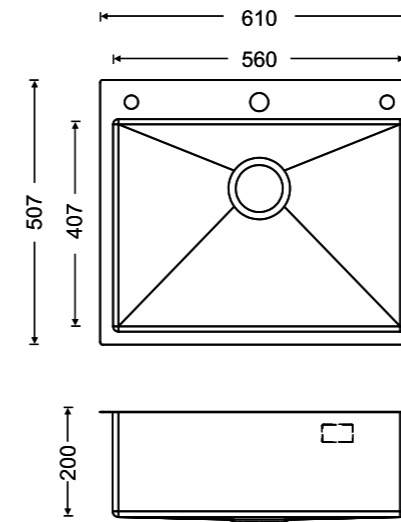


FOLD MATT

WALTZ 610 R10 WITH FAUCET INOX 101



TECHNICAL DETAILS



SEMI LOADED



PLUMBING KIT



INOX 101



SOAP DISPENSER

FULLY LOADED



PLUMBING KIT



SOAP DISPENSER



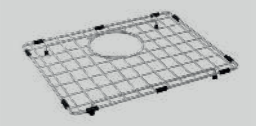
INOX 101



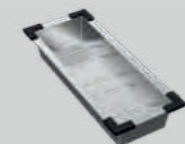
CHOPPING BOARD



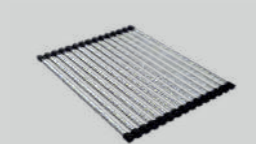
FLEXIBLE BASKET



BOTTOM MESH



COLANDER

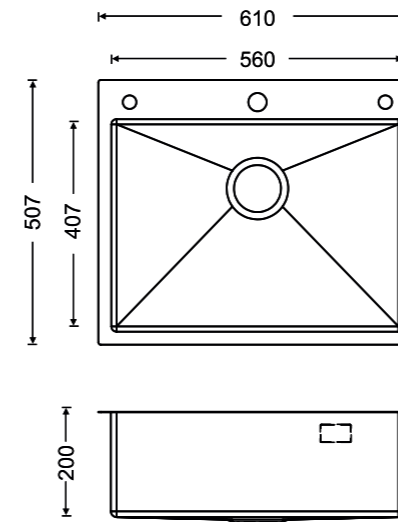


FOLD MATT

WALTZ 610 R10 WITH FAUCET INOX 102



TECHNICAL DETAILS



SEMI LOADED



PLUMBING KIT



INOX 102



SOAP DISPENSER

FULLY LOADED



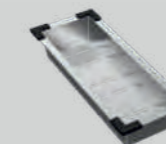
PLUMBING KIT



INOX 102



FLEXIBLE BASKET



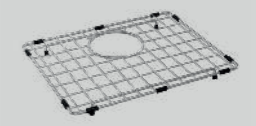
COLANDER



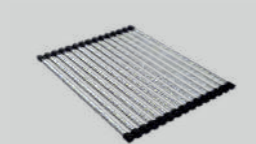
SOAP DISPENSER



CHOPPING BOARD



BOTTOM MESH



FOLD MATT



WALTZ 750 R10



WALTZ 750 R10

STEEL GRADE AISI 304

INNOVATIVE FEATURES

Supplied with Accessories like



Wooden Chopping Board



Colander



Fold Matt



Flexible Basket



Bottom Mesh



Soap Dispenser



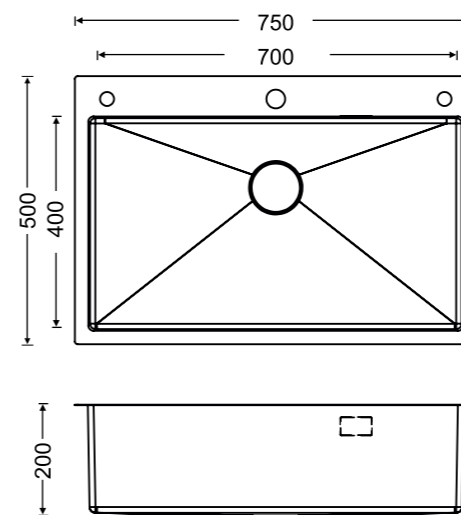
Plumbing Kit



WALTZ 750 R10 WITH FAUCET INOX 100



TECHNICAL DETAILS



SEMI LOADED



PLUMBING KIT



INOX 100



SOAP DISPENSER

FULLY LOADED



PLUMBING KIT



SOAP DISPENSER



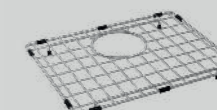
INOX 100



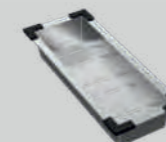
CHOPPING BOARD



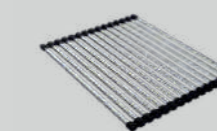
FLEXIBLE BASKET



BOTTOM MESH



COLANDER

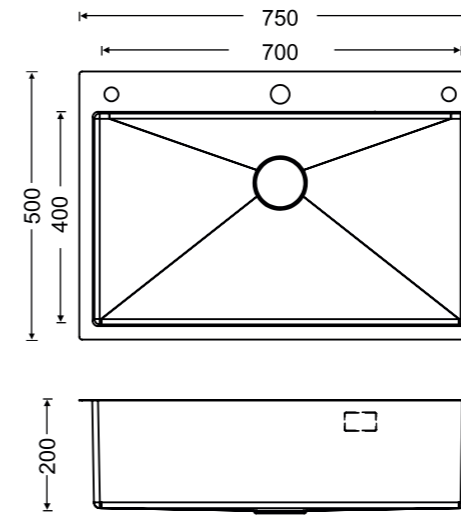


FOLD MATT

WALTZ 750 R10 WITH FAUCET INOX 101



TECHNICAL DETAILS



SEMI LOADED



PLUMBING KIT



INOX 101



SOAP DISPENSER

FULLY LOADED



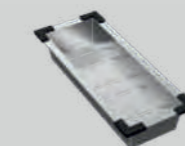
PLUMBING KIT



INOX 101



FLEXIBLE BASKET



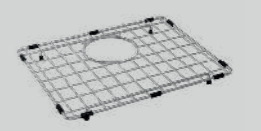
COLANDER



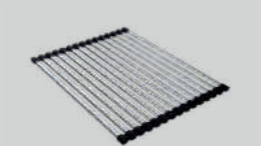
SOAP DISPENSER



CHOPPING BOARD



BOTTOM MESH

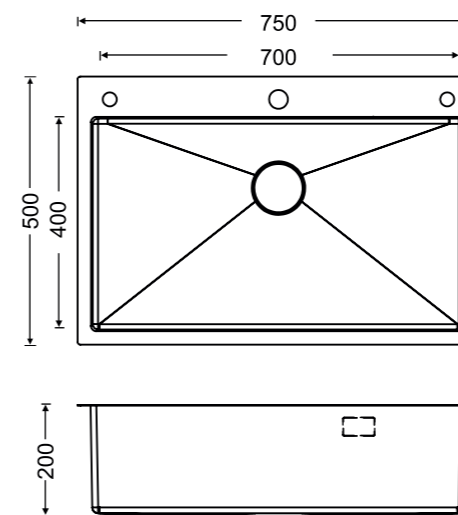


FOLD MATT

WALTZ 750 R10 WITH FAUCET INOX 102



TECHNICAL DETAILS



SEMI LOADED



PLUMBING KIT



INOX 102



SOAP DISPENSER

FULLY LOADED



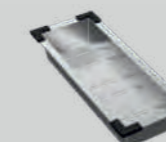
PLUMBING KIT



INOX 102



FLEXIBLE BASKET



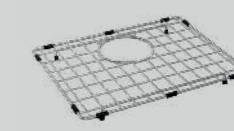
COLANDER



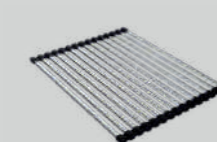
SOAP DISPENSER



CHOPPING BOARD



BOTTOM MESH



FOLD MATT



CABYSIL™

FERRANTI

INTRODUCING
PVD COLLECTION



PVD COLLECTION

PVD Coating:

Introduction of PVD (Physical Vapour Deposition) technique for the first time in India to manufacture world class quality Stainless Steel sinks. PVD Coating refers to a variety of thin film deposition techniques where a solid material is vaporized in a vacuum environment and deposited on substrates as a pure material or alloy composition coating. We are the one of the few in the world who has established PVD plant for coating stainless sinks in different finishes like **Yellow Gold, Rose Gold and Gun Metal**.

These coatings can reduce friction and provide a barrier against damage and is often used where long lasting durability is crucial. Physical Vapor Deposition processes are an environmentally friendly or “plating” technique that greatly reduces the amount of toxic substances that must be used, manage and disposed of as compared to other “wet” processes that involve fluid precursors and chemical reactions used to achieve the same result.

Uses:

The surfaces of kitchen sinks manufactured from this process aesthetically look beautiful like new even after decades of usage. The state-of-the-art technology ensures the production of high quality surface, which are not only three times harder than the conventional sinks but more corrosion resistance. Wide variety of finishes can be manufactured. These surfaces are more scratch resistant and stay beautiful for a long time.



PVD YELLOW GOLD COLLECTION



PVD MATT BLACK COLLECTION

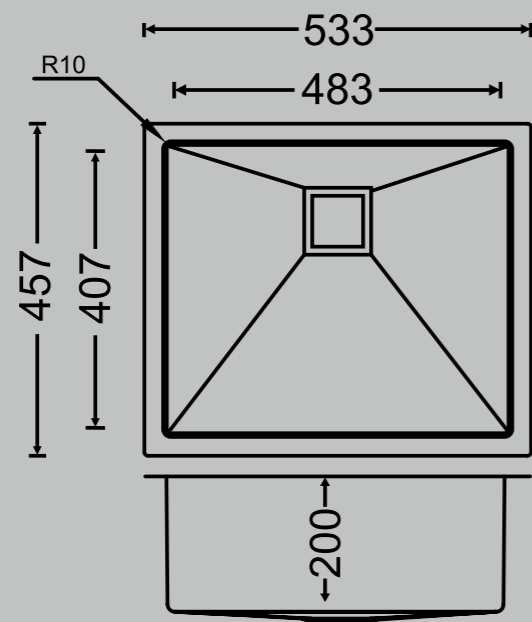
PMQ2



MODEL CODE

A. PMQ2

DIMENSIONS (mm)



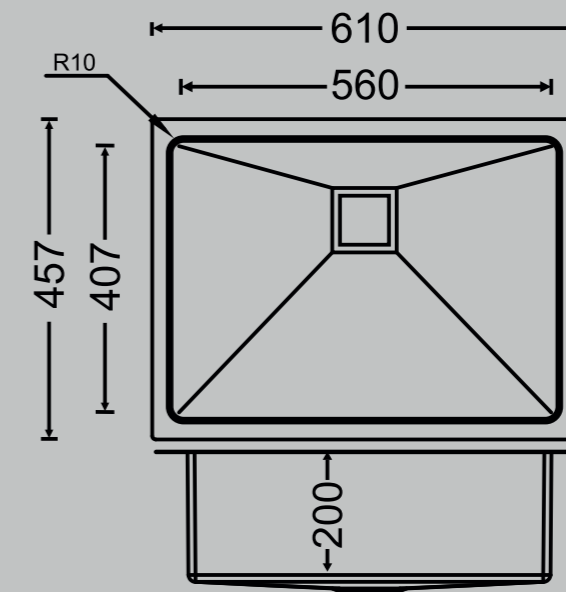
PMQ3



MODEL CODE

A. PMQ3

DIMENSIONS (mm)



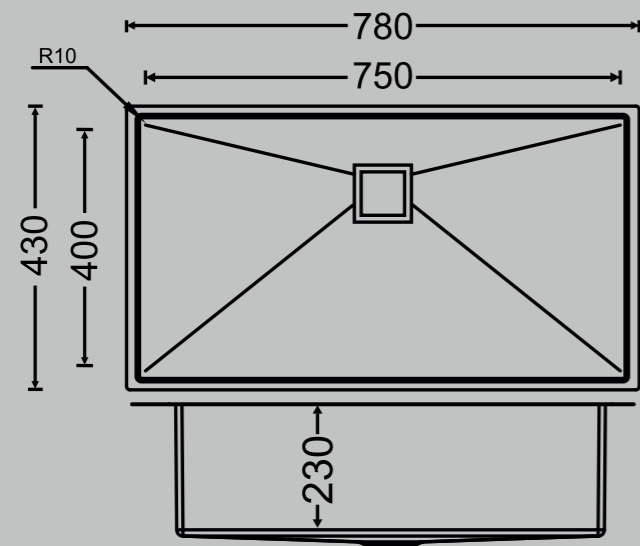
PMQ6



MODEL CODE

A. PMQ6

DIMENSIONS (mm)



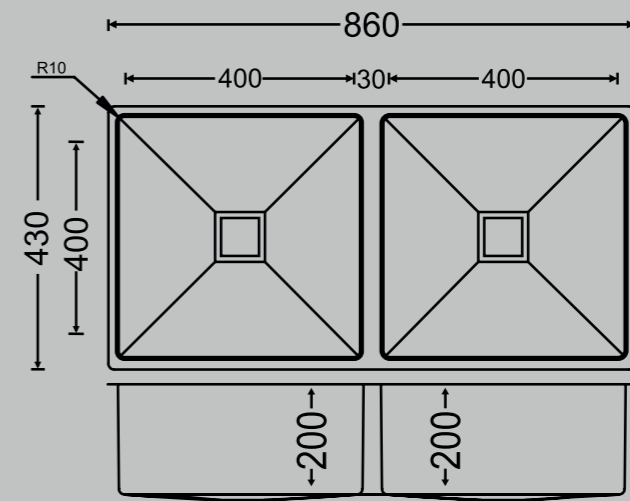
PMQ9



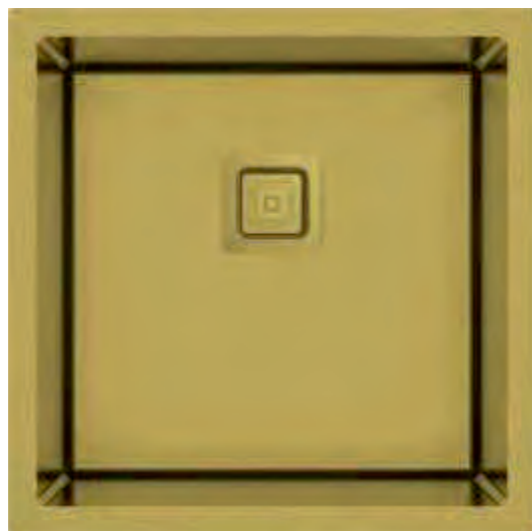
MODEL CODE

A. PMQ9

DIMENSIONS (mm)



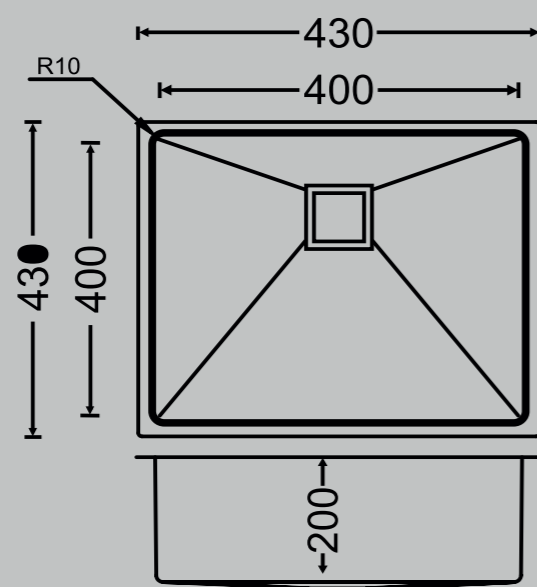
PMQ10



MODEL CODE

A. PMQ10

DIMENSIONS (mm)





INTRODUCING
FARMHOUSE SINK
COLLECTION



FARMHOUSE SINK

STEEL GRADE AISI 304

AF N100 S

APRON FRONT SINK

The Apron Straight Sinks slide in and over your counter top, and are designed with a sleek straight steel front to provide total protection to your cabinet from water damage.

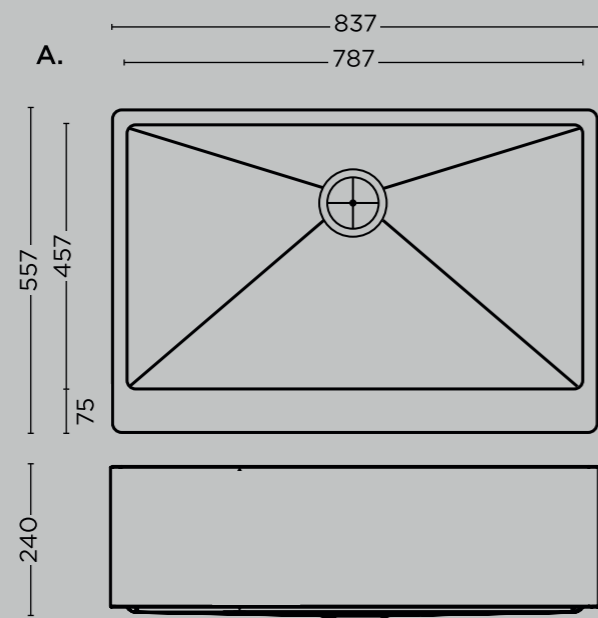
APRON STRAIGHT



MODEL CODE

A. AF N100 S

DIMENSIONS (mm)





FARMHOUSE SINK

STEEL GRADE AISI 304

AF N100 C

APRON FRONT SINK

The Apron Front Sinks slide in and over your counter top, and are designed with a special curved steel front to provide total protection to your cabinet from water damage.

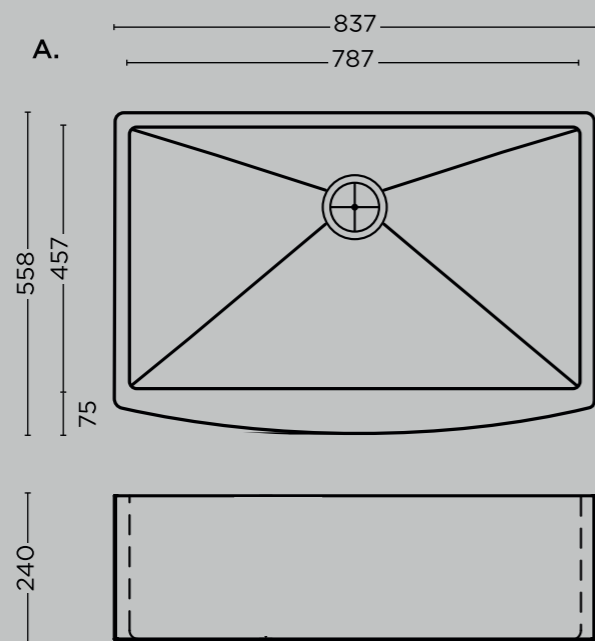
FARMHOUSE SINK



MODEL CODE

A. AF N100 C

DIMENSIONS (mm)



INTRODUCING
STAINLESS STEEL SINK
COLLECTION



INTRODUCING
MICRO RADIUS
COLLECTION





MICRO RADIUS SERIES

STEEL GRADE AISI 304

- Contemporary box design.
- Square waste drainer.
- SS 304 Grade Sleek 1mm thickness, flush and luxurious.
- Corner radius 10mm

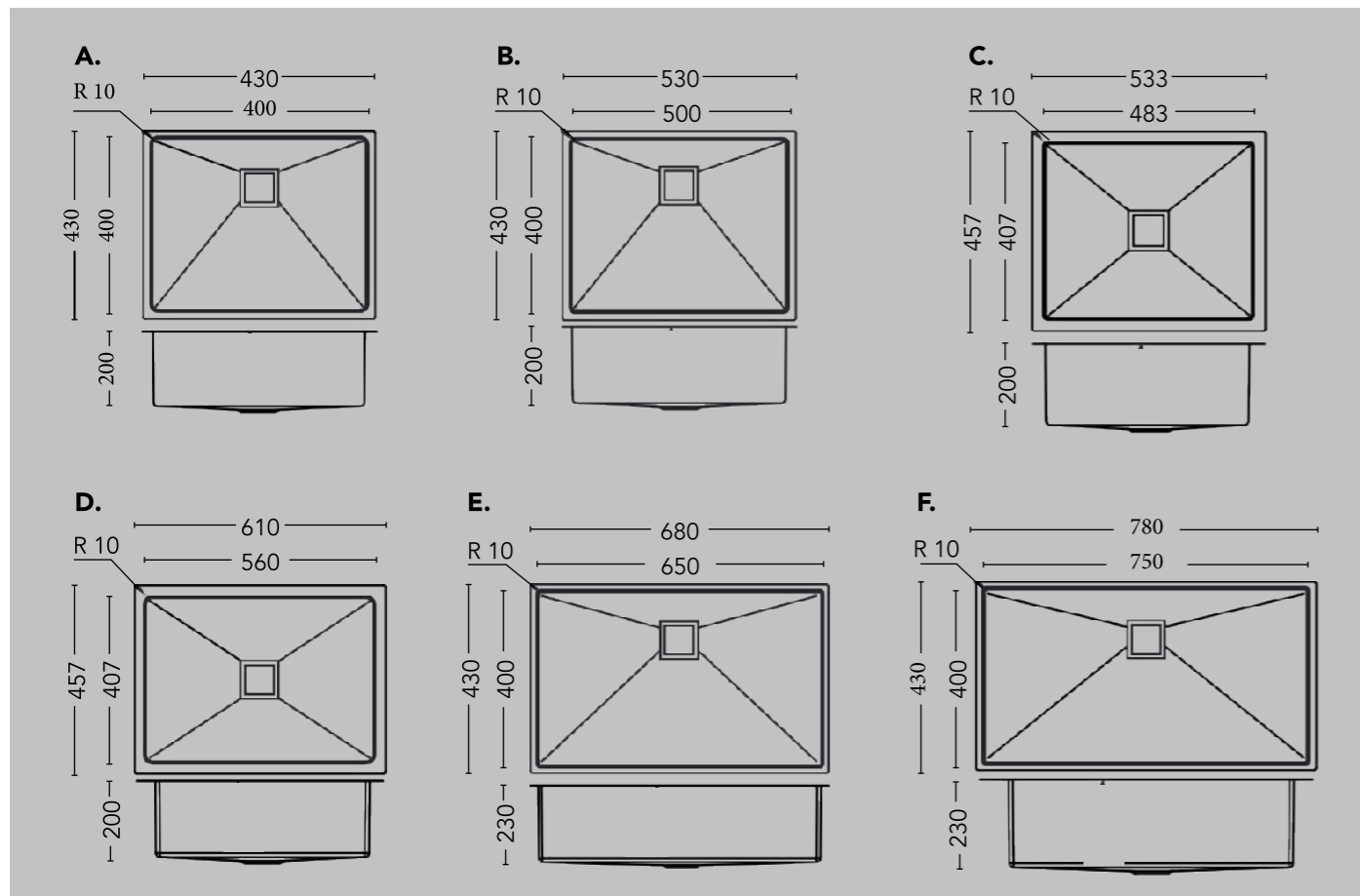
MICRO RADIUS R10 SINGLE BOWL



MODEL CODE

- A.** MQ10 **B.** MQ4 **C.** MQ2
D. MQ3 **E.** MQ5 **F.** MQ6

DIMENSIONS (mm)



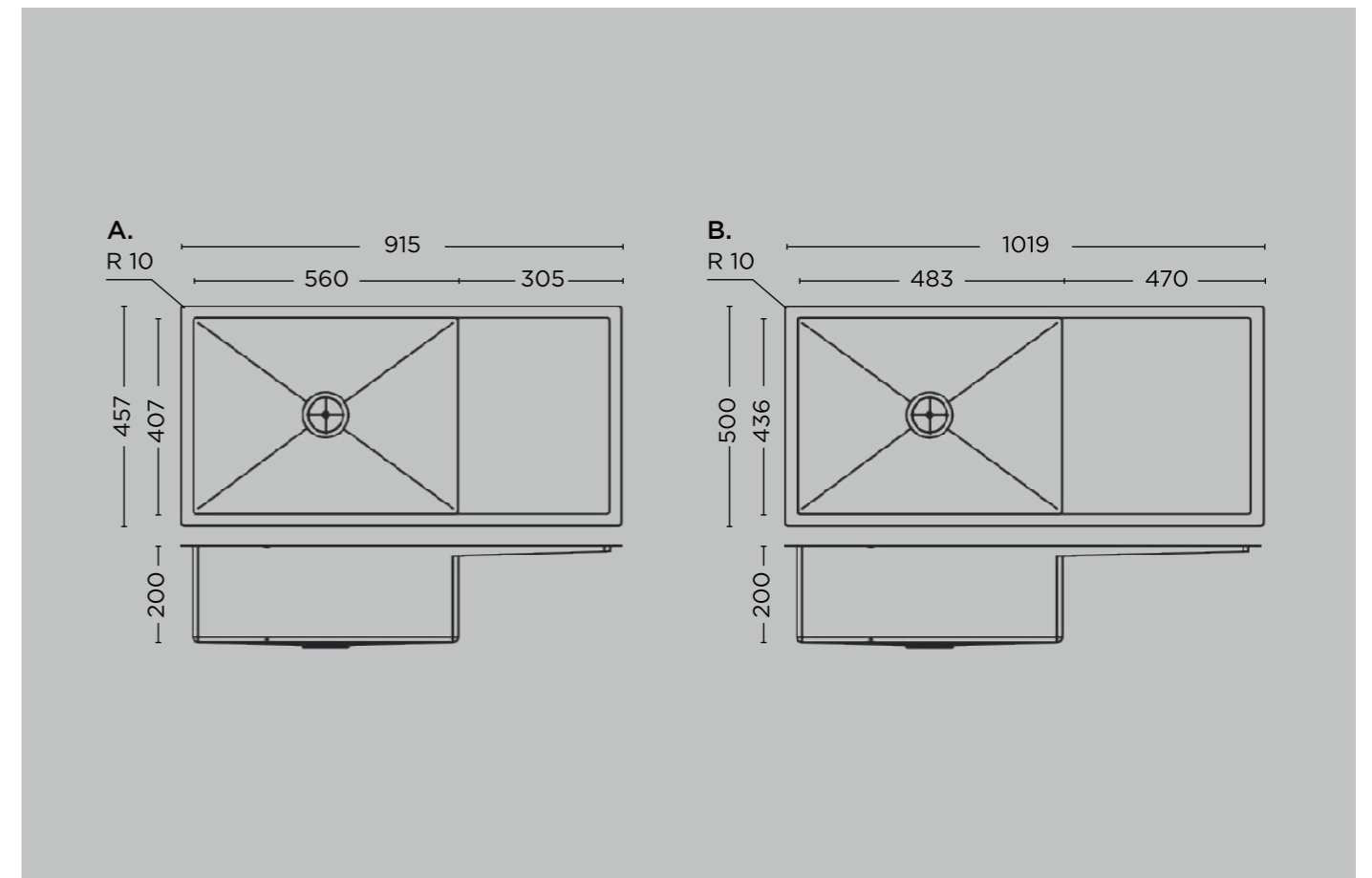
MICRO RADIUS R10 SINGLE BOWL WITH DRAINER



MODEL CODE

- A.** 36 x 18 x 8 **B.** 40 x 20 x 8

DIMENSIONS (mm)



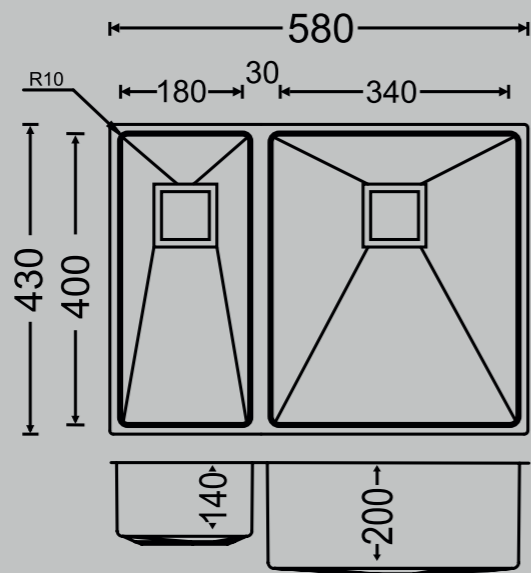
MICRO RADIUS R10 ONE & HALF BOWL



MODEL CODE

A. MQ7

DIMENSIONS (mm)



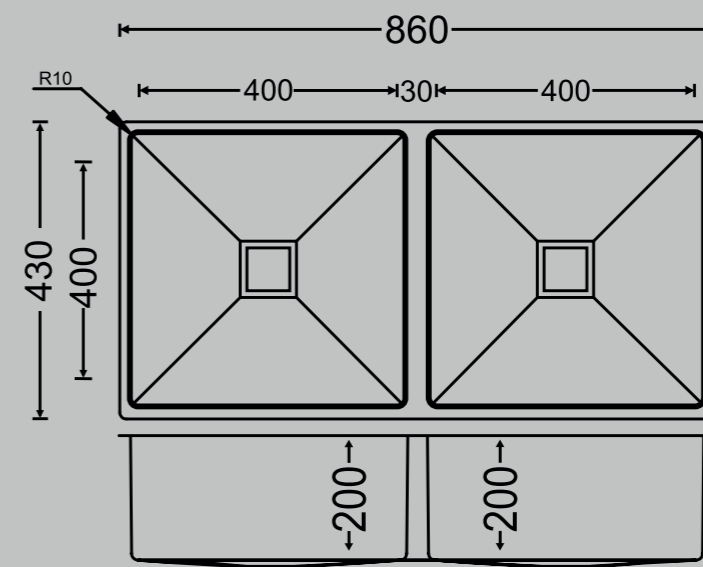
MICRO RADIUS R10 DOUBLE BOWL



MODEL CODE

A. MQ9

DIMENSIONS (mm)



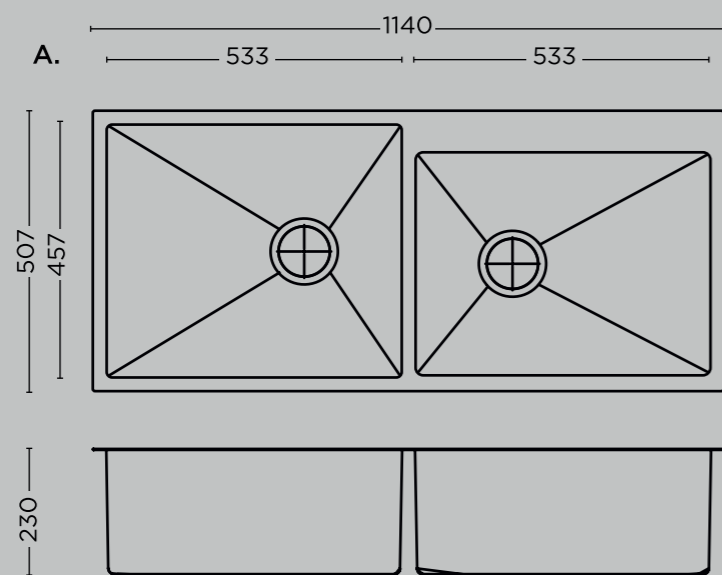
MICRO RADIUS R10 DOUBLE BOWL



MODEL CODE

A. MQ12

DIMENSIONS (mm)



INTRODUCING
MICRO RADIUS WALTZ
COLLECTION





MICRO RADIUS WALTZ SERIES

STEEL GRADE AISI 304

- Contemporary box design.
- Square waste drainer.
- SS 304 Grade Sleek 1mm thickness, flush and luxurious.
- Corner radius 10mm

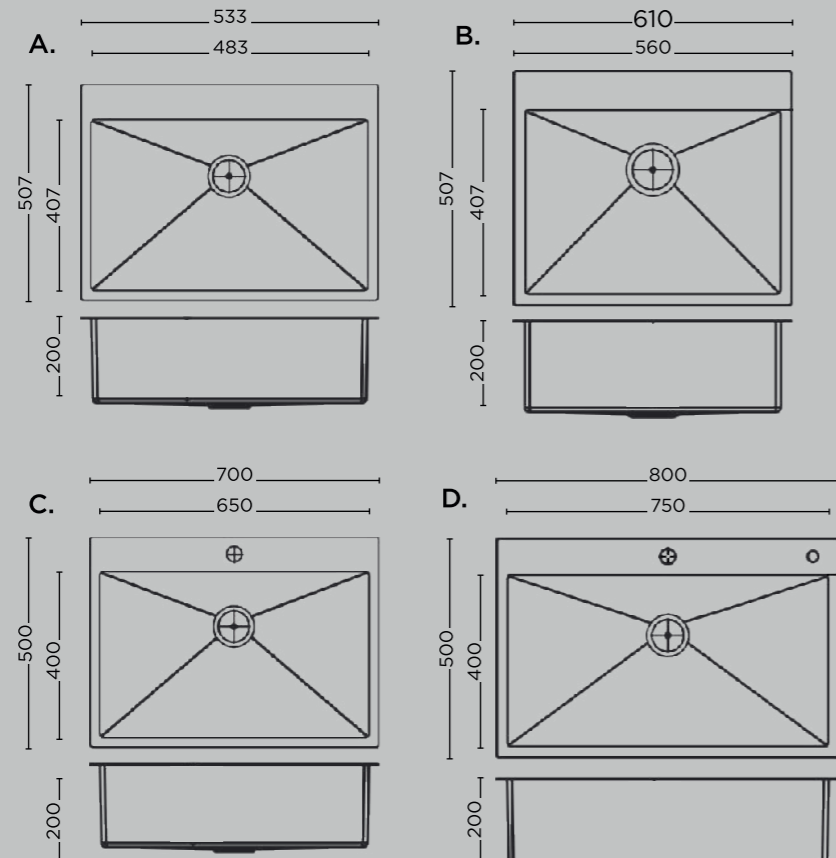
MICRO RADIUS WALTZ



MODEL CODE

- A.** MQW2 **B.** MQW3 **C.** MQW5
D. MQW6

DIMENSIONS (mm)



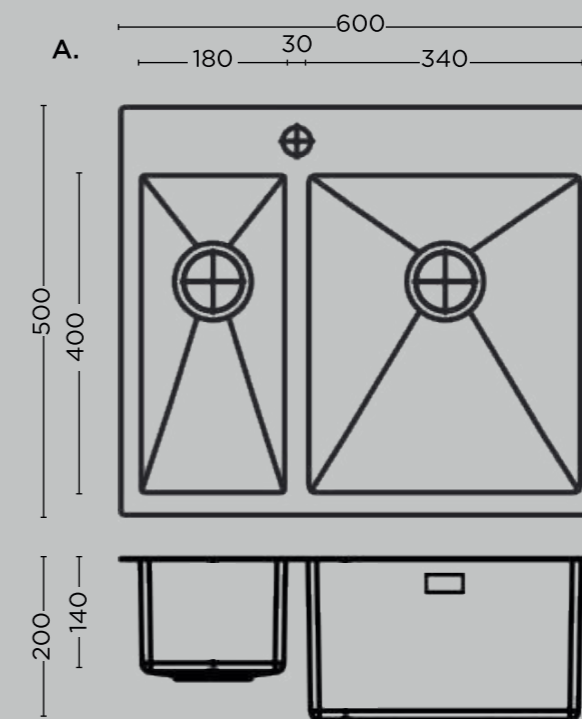
MICRO RADIUS WALTZ ONE & HALF BOWL



MODEL CODE

- A.** MQW7

DIMENSIONS (mm)



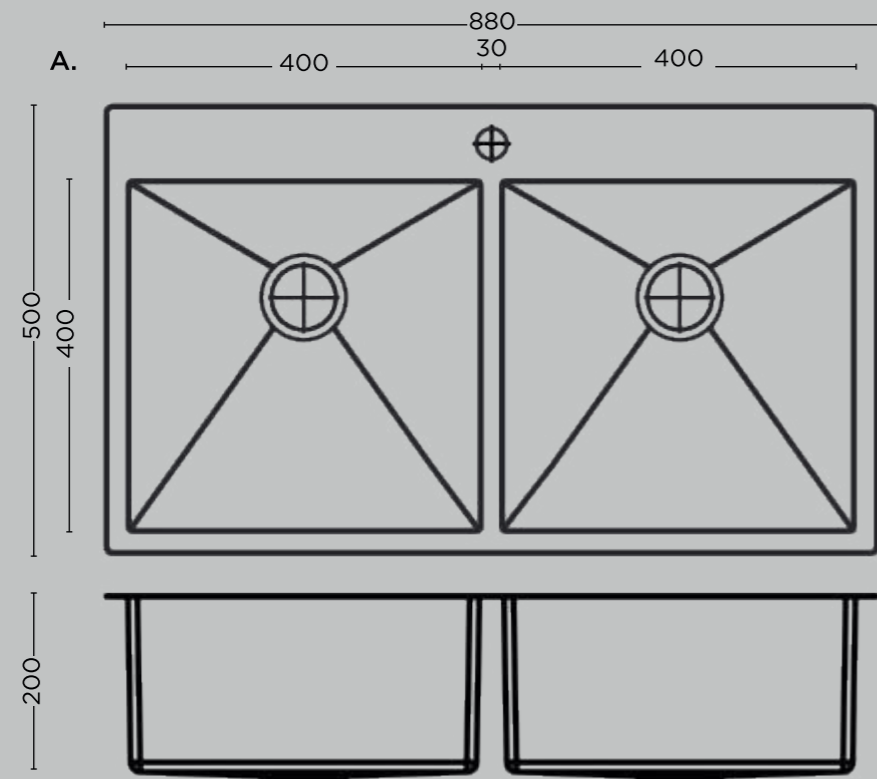
MICRO RADIUS WALTZ DOUBLE BOWL



MODEL CODE

A. MQW9

DIMENSIONS (mm)





INTRODUCING
QUADRO
COLLECTION



QUADRO SERIES

STEEL GRADE AISI 304

- Contemporary box shaped design.
- Waste drainer with cap for an odourless and insect-free experience.
- Zero Radius.

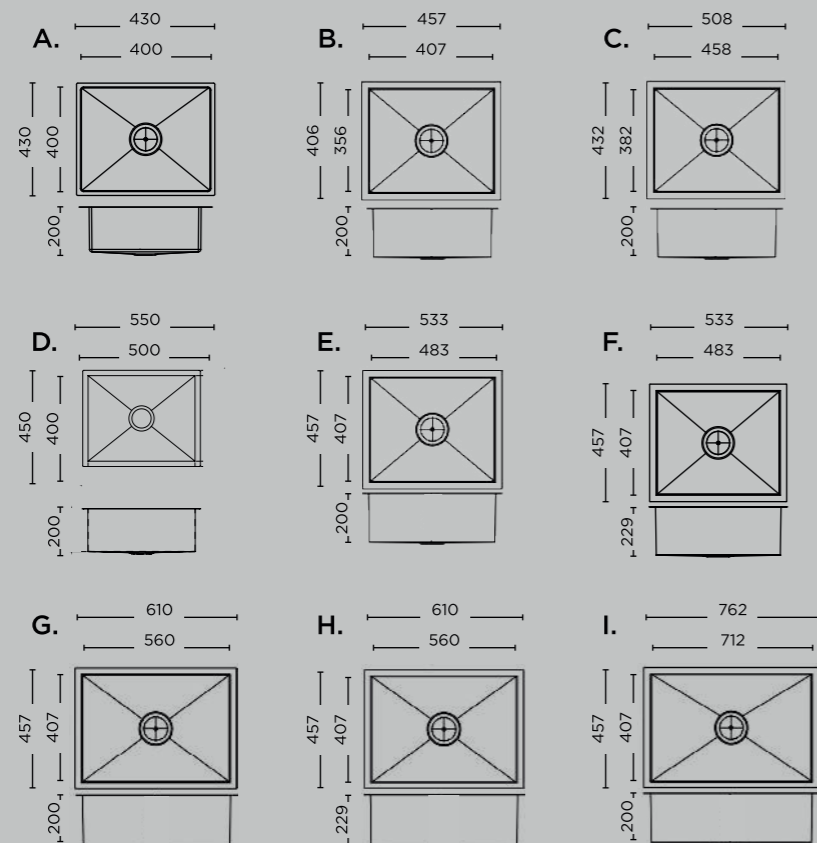
QUADRO SINGLE BOWL



MODEL CODE

A. 17 x 17 x 8 **B.** 18 x 16 x 8 **C.** 20 x 17 x 8
D. 21 x 17 x 8 **E.** 21 x 18 x 8 **F.** 21 x 18 x 9
G. 24 x 18 x 8 **H.** 24 x 18 x 9 **I.** 30 x 18 x 8

DIMENSIONS (mm)



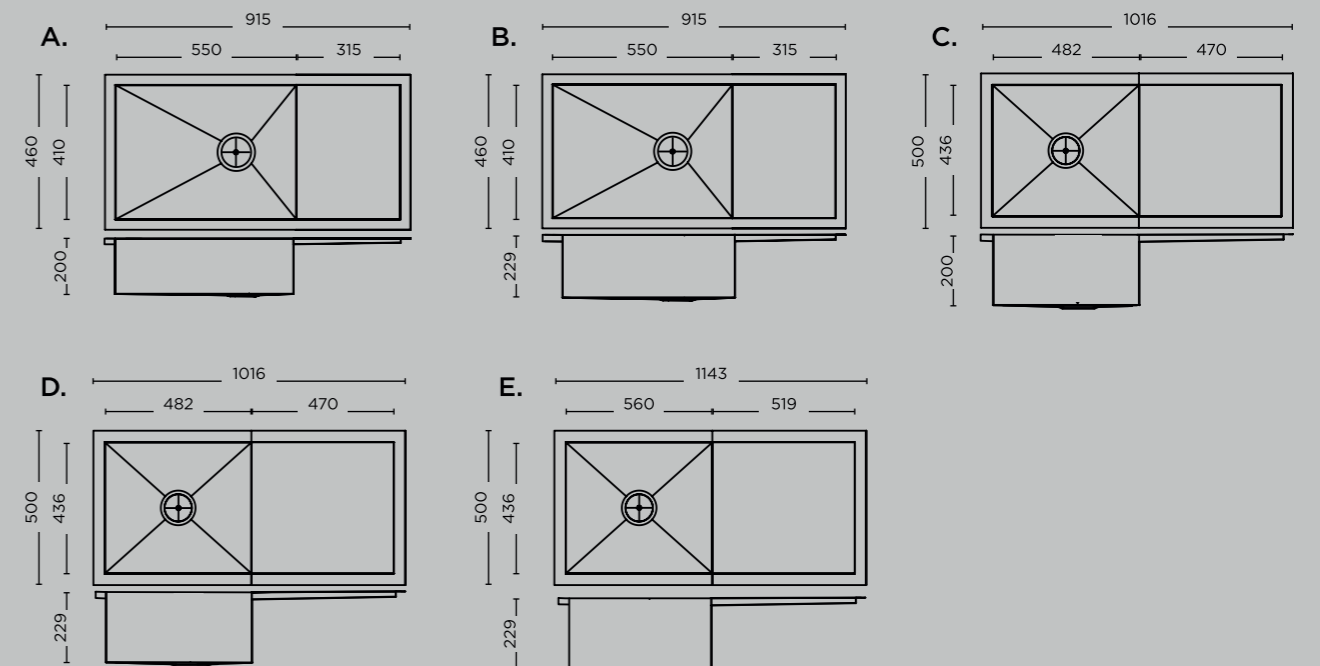
QUADRO SINGLE BOWL WITH DRAINER



MODEL CODE

A. 36 x 18 x 8 **B.** 36 x 18 x 9 **C.** 40 x 20 x 8
D. 40 x 20 x 9 **E.** 45 x 20 x 9

DIMENSIONS (mm)



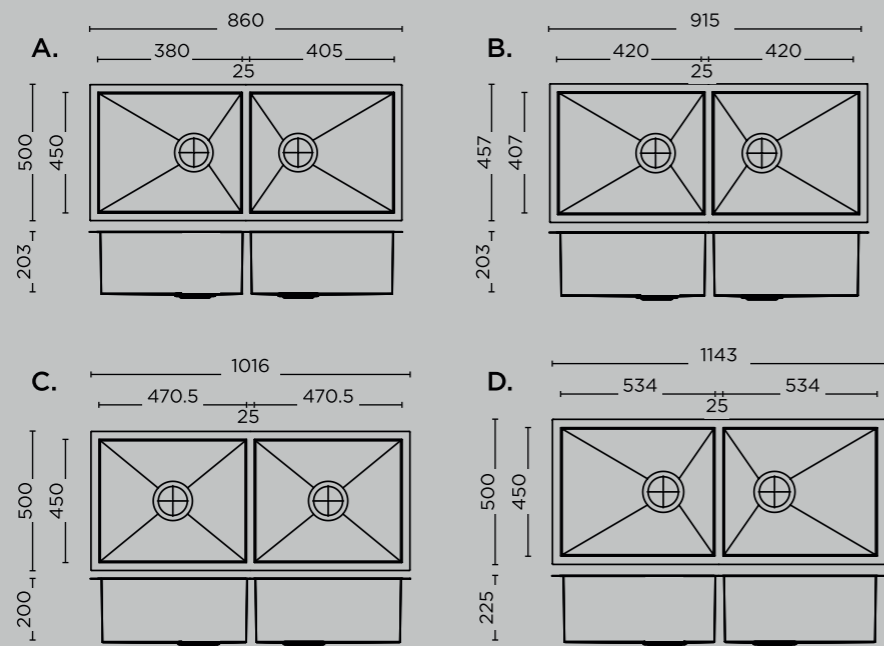
QUADRO DOUBLE BOWL



MODEL CODE

- A.** 34 x 20 x 8 **B.** 36 x 18 x 8 **C.** 40 x 20 x 8
D. 45 x 20 x 9

DIMENSIONS (mm)



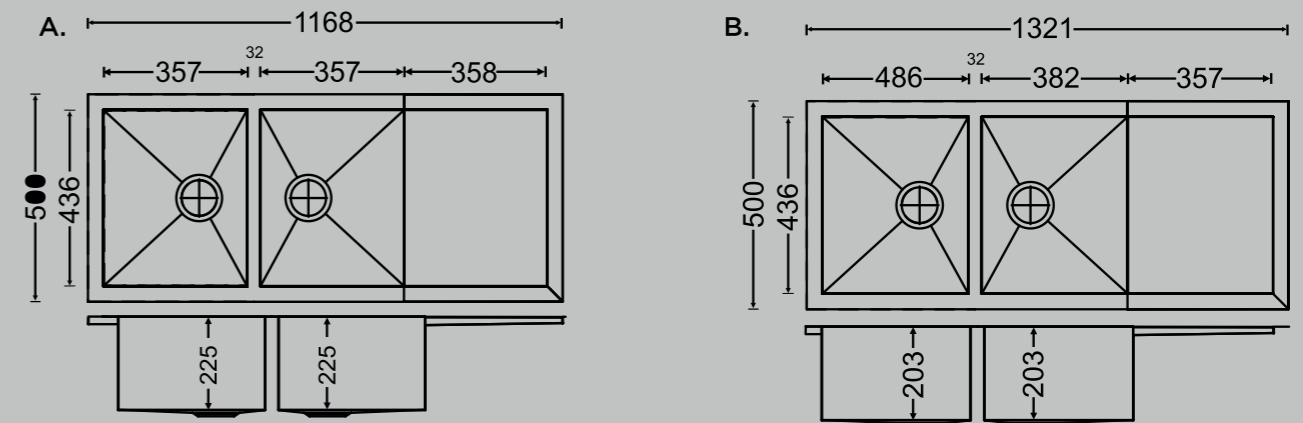
QUADRO DOUBLE BOWL WITH DRAINER



MODEL CODE

- A.** 46 x 20 x 9 **B.** 52 x 20 x 8

DIMENSIONS (mm)



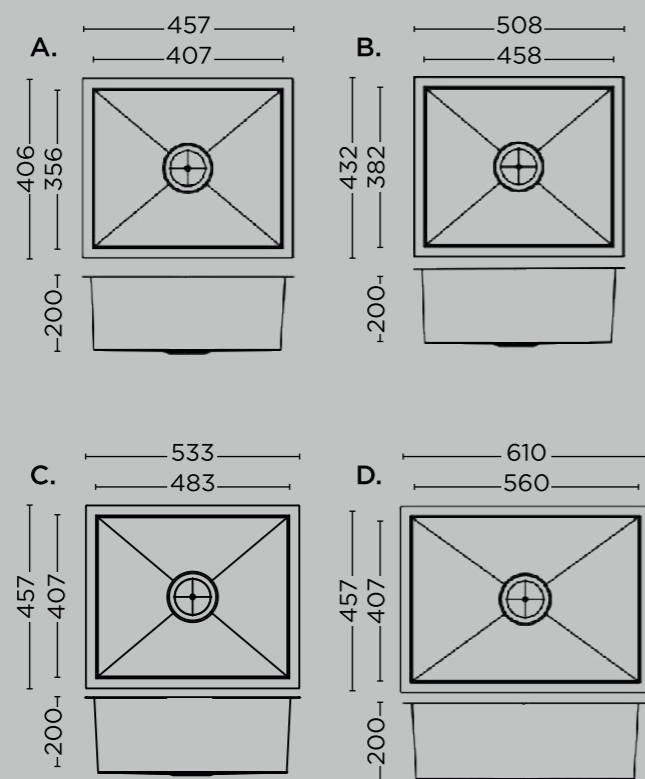
QUADRO CLASSIC SINGLE BOWL



MODEL CODE

- A.** 18 x 16 x 8 **B.** 20 x 17 x 8 **C.** 21 x 18 x 8
D. 24 x 18 x 8

DIMENSIONS (mm)



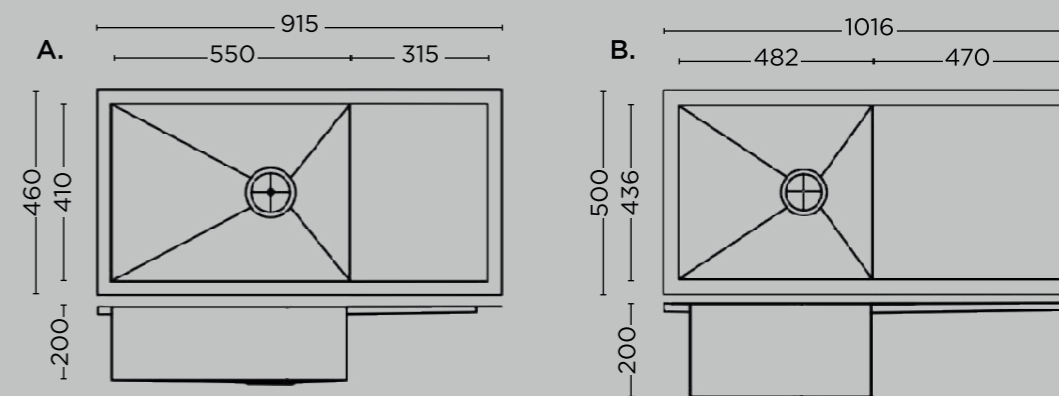
QUADRO CLASSIC SINGLE BOWL WITH DRAINER



MODEL CODE

- A.** 36 x 18 x 8 **B.** 40 x 20 x 8

DIMENSIONS (mm)



INTRODUCING
ELEGANCE
COLLECTION





ELEGANCE SERIES

STEEL GRADE AISI 304

- Spacious and deep bowl.
- SS 304 Grade with 1.00 mm thickness, 0.80 mm thickness and 0.60 mm thickness.

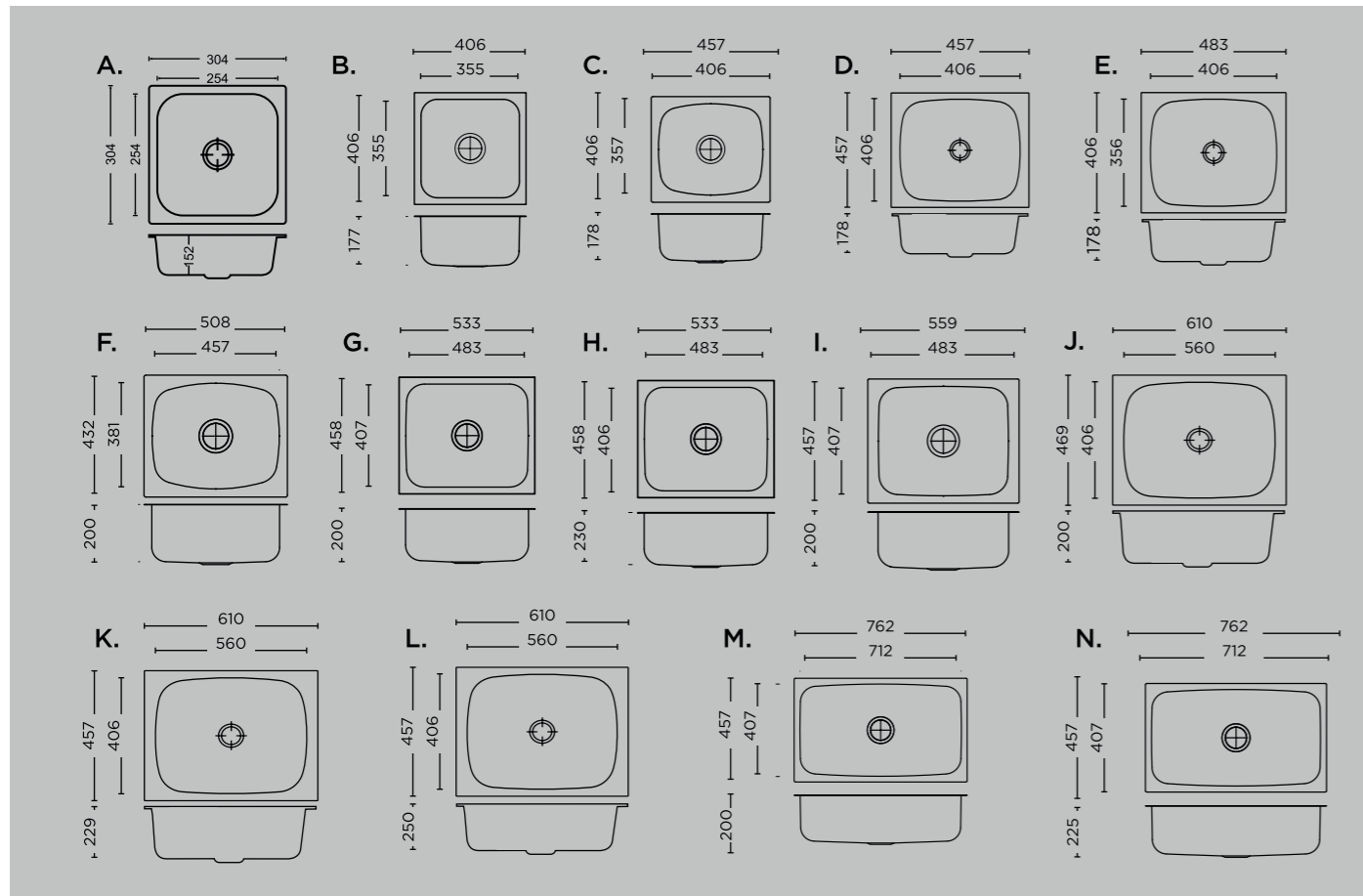
ELEGANCE SINGLE BOWL



MODEL CODE

A. 12 x 12 x 6 **B.** 16 x 16 x 7 **C.** 18 x 16 x 7 **D.** 18 x 18 x 7 **E.** 19 x 16 x 7 **F.** 20 x 17 x 8
G. 21 x 18 x 8 **H.** 21 x 18 x 9 **I.** 22 x 18 x 8 **J.** 24 x 18 x 8 **K.** 24 x 18 x 9 **L.** 24 x 18 x 10
M. 30 x 18 x 8 **N.** 30 x 18 x 9

DIMENSIONS (mm)



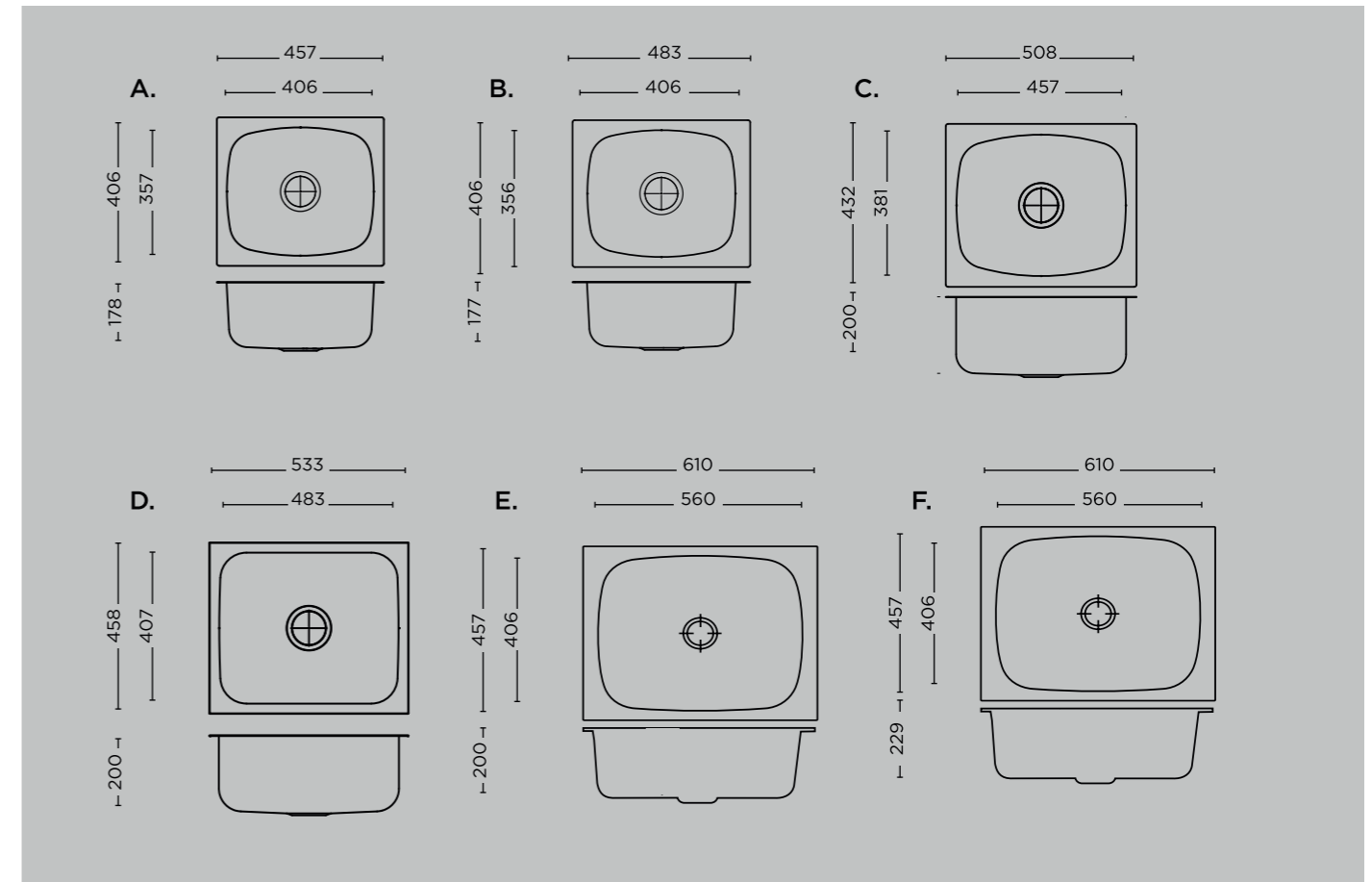
ELEGANCE SINGLE BOWL 0.8MM



MODEL CODE

A. 18 x 16 x 7 **B.** 19 x 16 x 7 **C.** 20 x 17 x 8
D. 21 x 18 x 8 **E.** 24 x 18 x 8 **F.** 24 x 18 x 9

DIMENSIONS (mm)



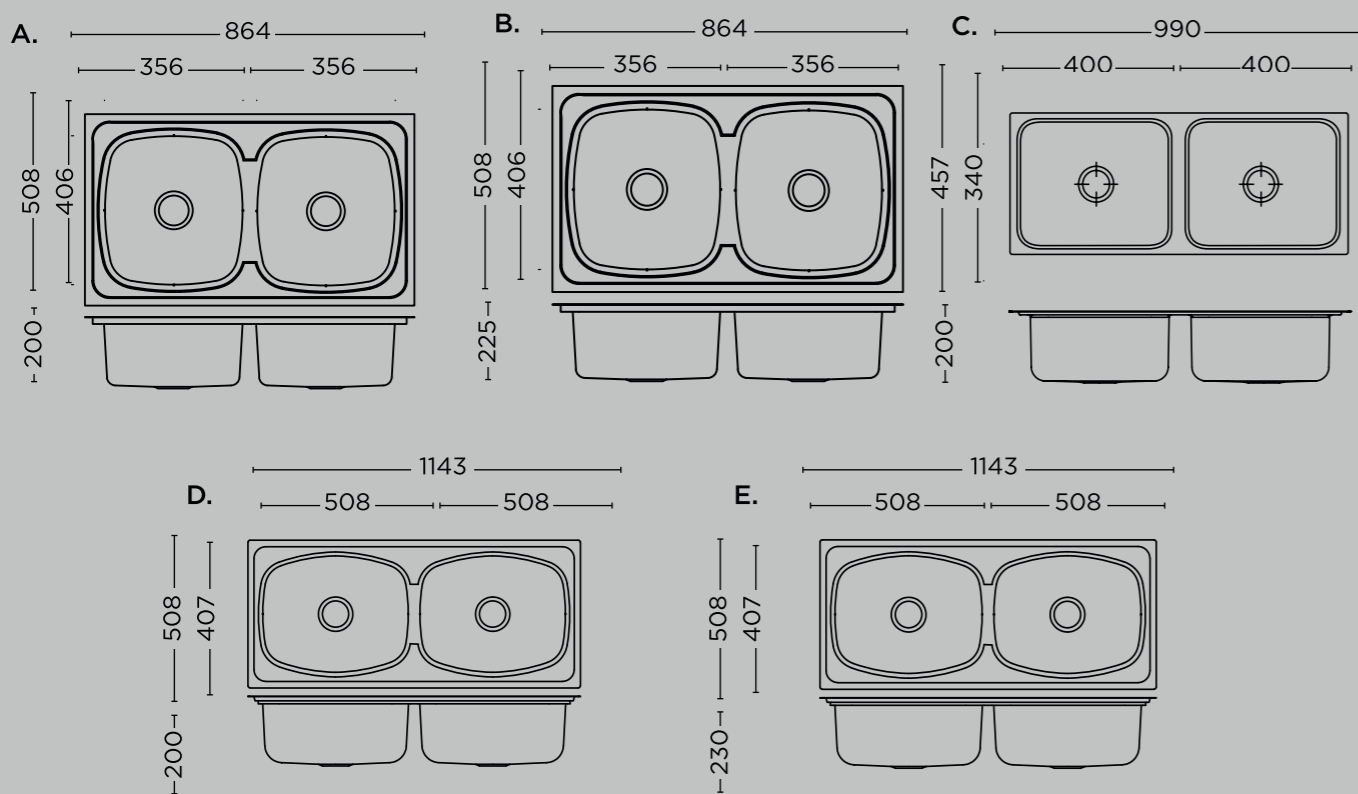
ELEGANCE DOUBLE BOWL



MODEL CODE

A. 34 x 20 x 8 **B.** 34 x 20 x 9 **C.** 39 x 18 x 8
D. 45 x 20 x 8 **E.** 45 x 20 x 9

DIMENSIONS (mm)



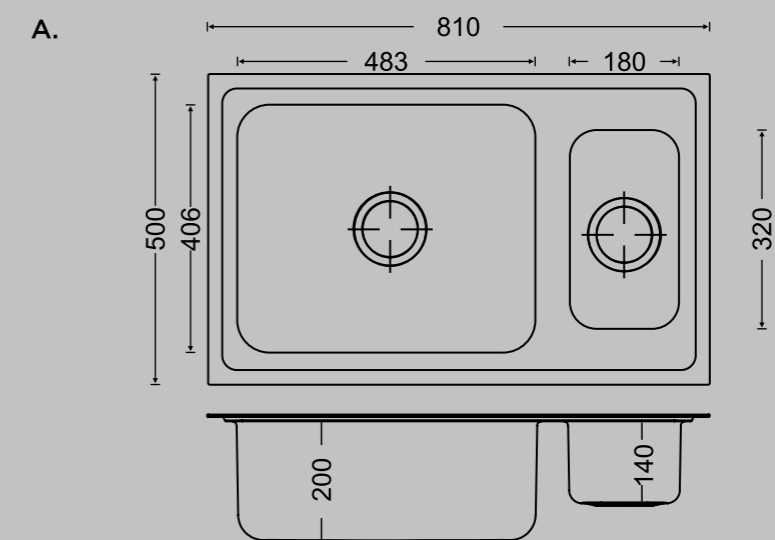
ELEGANCE 1.5 BOWL



MODEL CODE

A. 32 x 20 x 8

DIMENSIONS (mm)





INTRODUCING
ELEGANCE WITH
FAUCET DECK



ELEGANCE WITH FAUCET DECK

STEEL GRADE AISI 304

- Spacious and deep bowl.
- Sink with faucet deck.

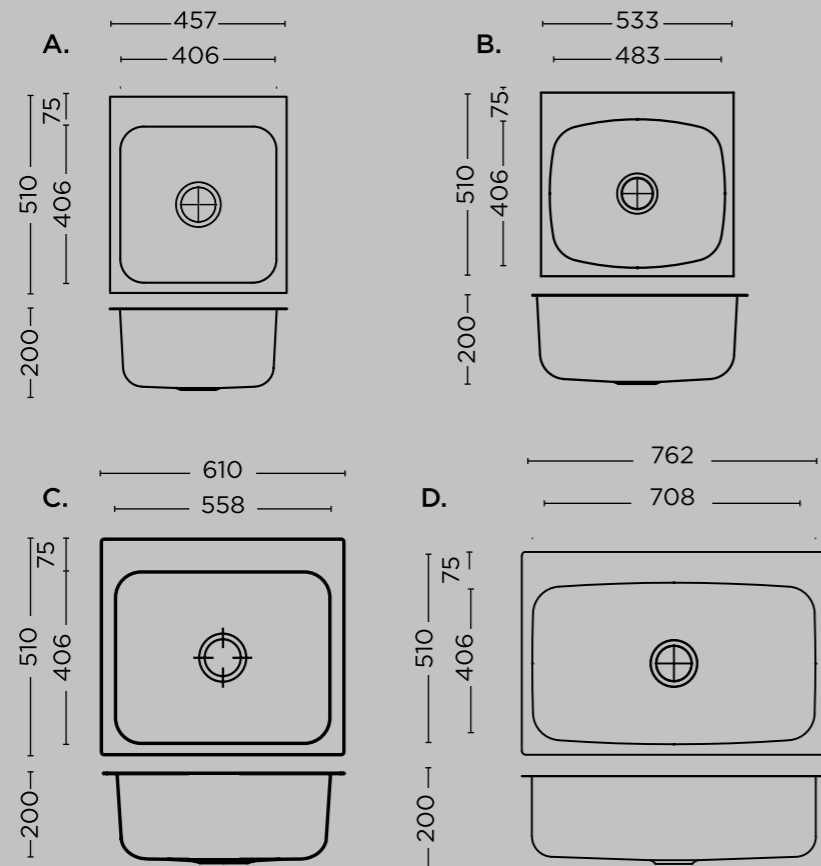
ELEGANCE WITH FAUCET DECK SINGLE BOWL



MODEL CODE

- A.** 18 x 20 x 8 **B.** 21 x 20 x 8 **C.** 24 x 20 x 8
- D.** 30 x 20 x 8

DIMENSIONS (mm)





INTRODUCING
VOGUE COLLECTION



VOGUE SERIES

STEEL GRADE AISI 304

- Made with hydraulic pressed technique.

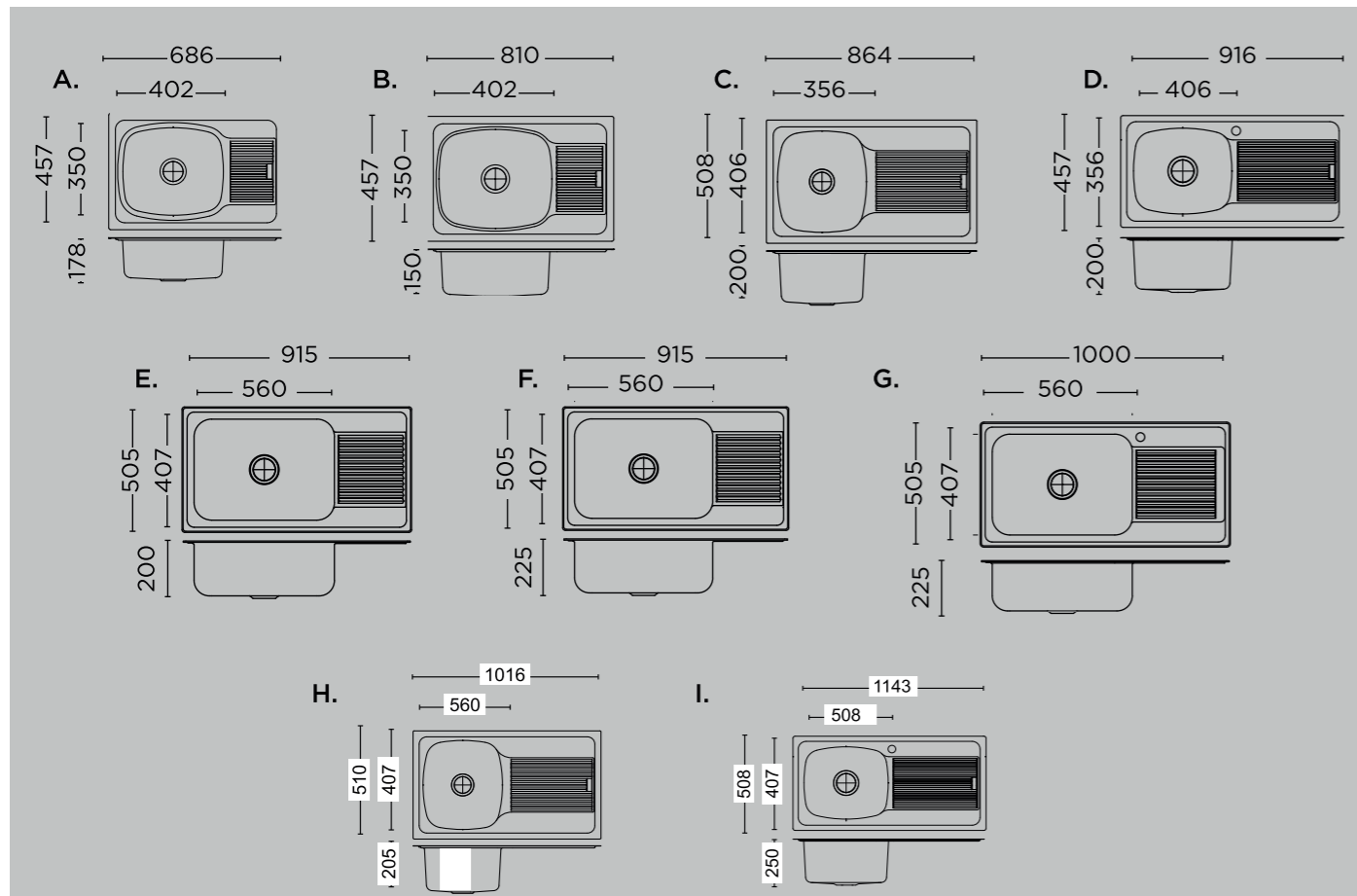
VOGUE SINGLE BOWL WITH DRAINER



MODEL CODE

- A. 27 x 18 x 7 B. 32 x 18 x 6 C. 34 x 20 x 8
 D. 36 x 18 x 8 E. 36 x 20 x 8 F. 36 x 20 x 9
 G. 40 x 20 x 9 H. 40 x 20 x 8 I. 45 x 20 x 10

DIMENSIONS (mm)



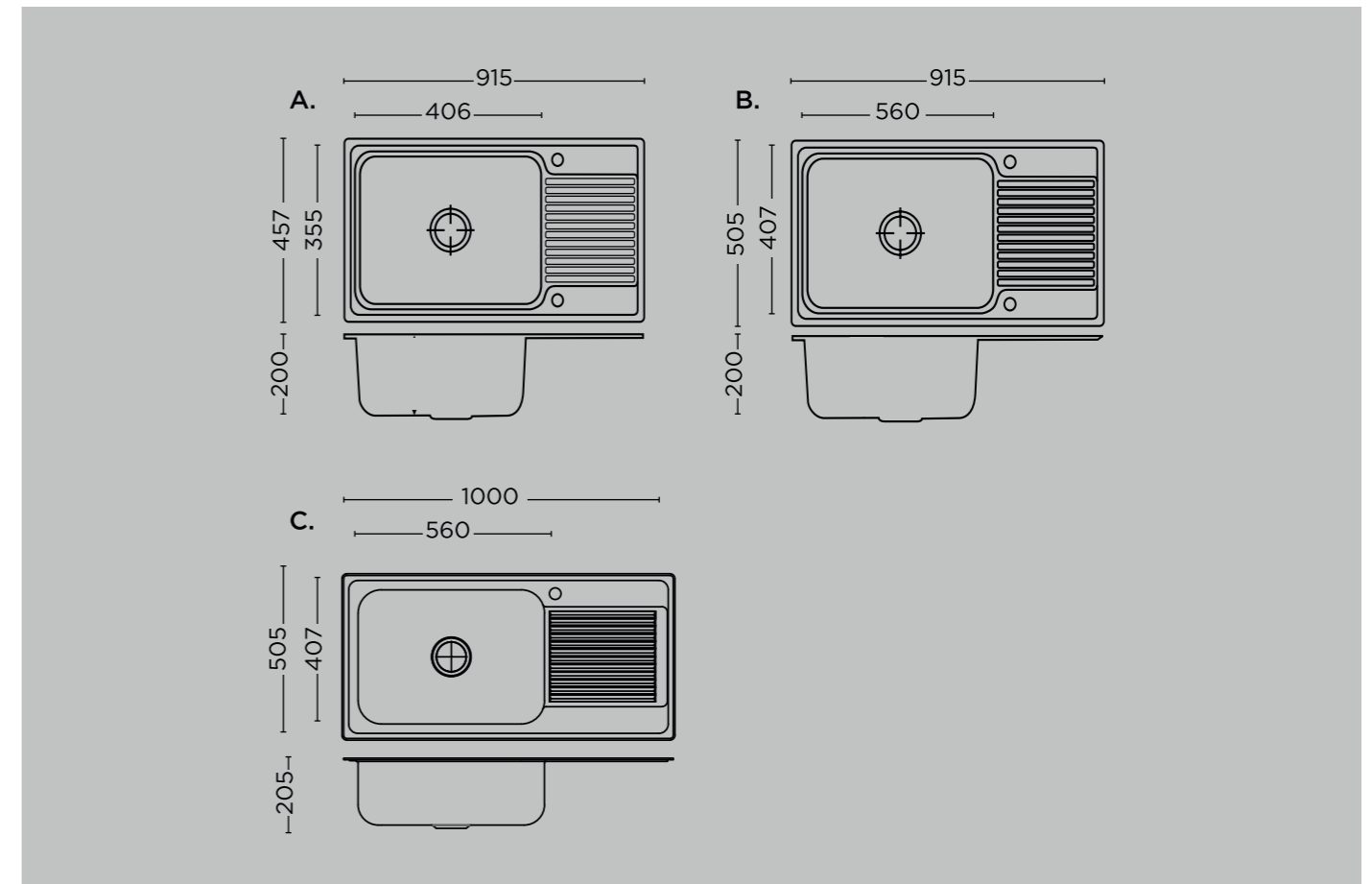
VOGUE SINGLE BOWL 0.8MM WITH DRAINER



MODEL CODE

- A. 36 x 18 x 8 B. 36 x 20 x 8 C. 40 x 20 x 8

DIMENSIONS (mm)



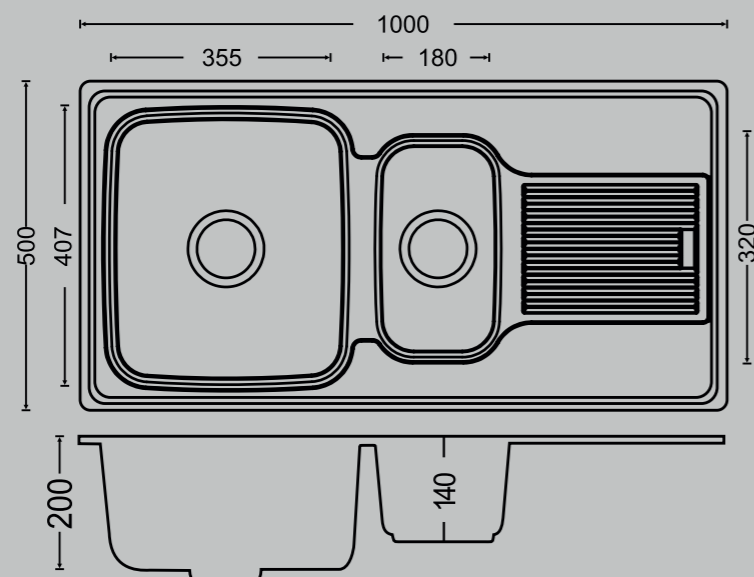
VOGUE ONE & HALF BOWL WITH DRAINER



MODEL CODE

A. 40 x 20 x 8

DIMENSIONS (mm)



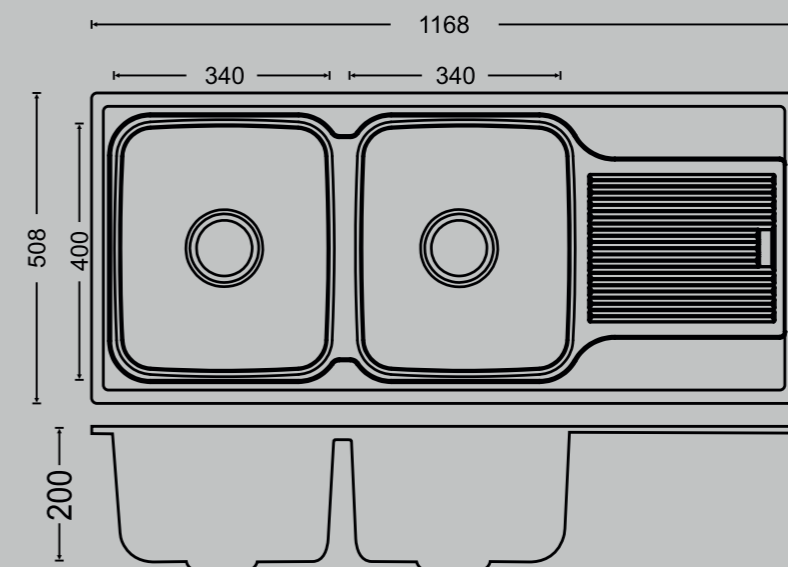
VOGUE DOUBLE BOWL WITH DRAINER



MODEL CODE

A. 46 x 20 x 8

DIMENSIONS (mm)



INTRODUCING
AMERICAN DESIGN
COLLECTION





AMERICAN DESIGN SERIES

STEEL GRADE AISI 304

- Micro radius R10.
- 10" bowl depth.

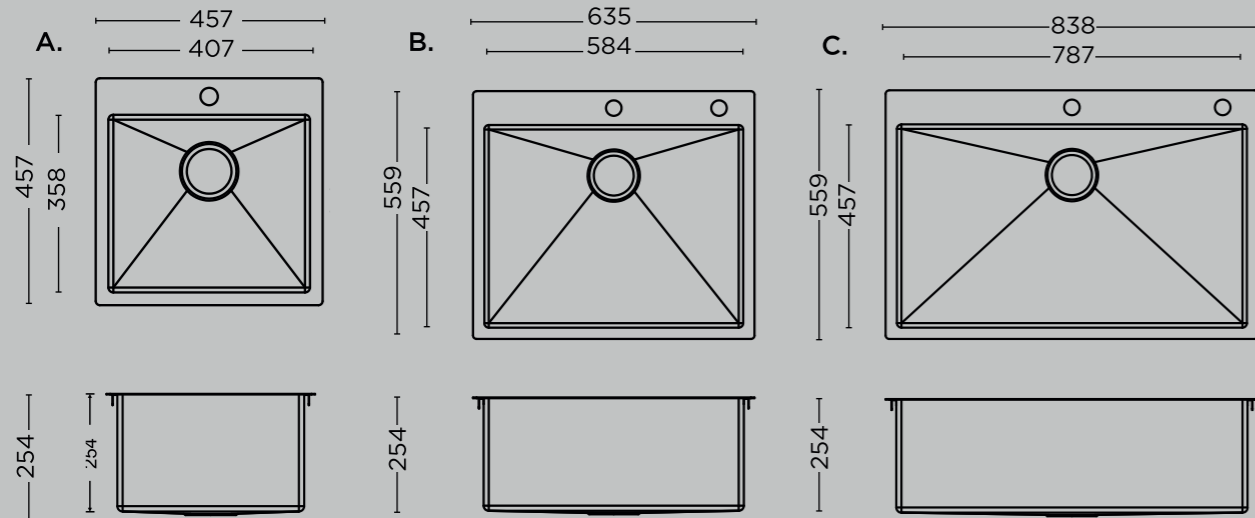
AMERICAN DESIGN SINGLE BOWL



MODEL CODE

A. ASB 1814 B. ASB 2522 C. ASB 3322

DIMENSIONS (mm)



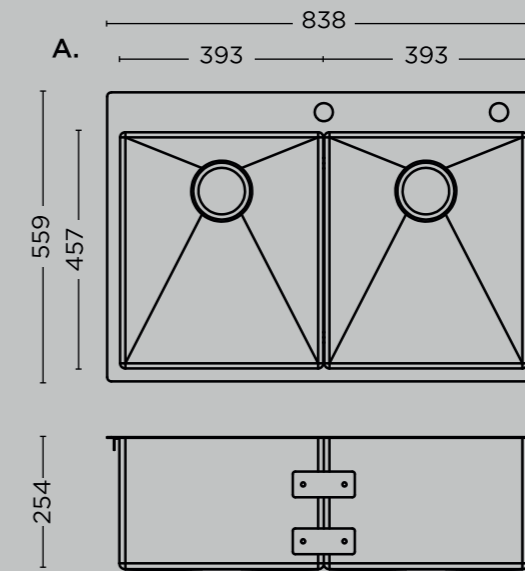
AMERICAN DESIGN DOUBLE BOWL



MODEL CODE

A. ADB 3322

DIMENSIONS (mm)



INTRODUCING
GERMAN DESIGN
COLLECTION





GERMAN DESIGN SERIES

STEEL GRADE AISI 304

- Large bowl with luxurious additional workspace.
- Micro radius of 10mm.

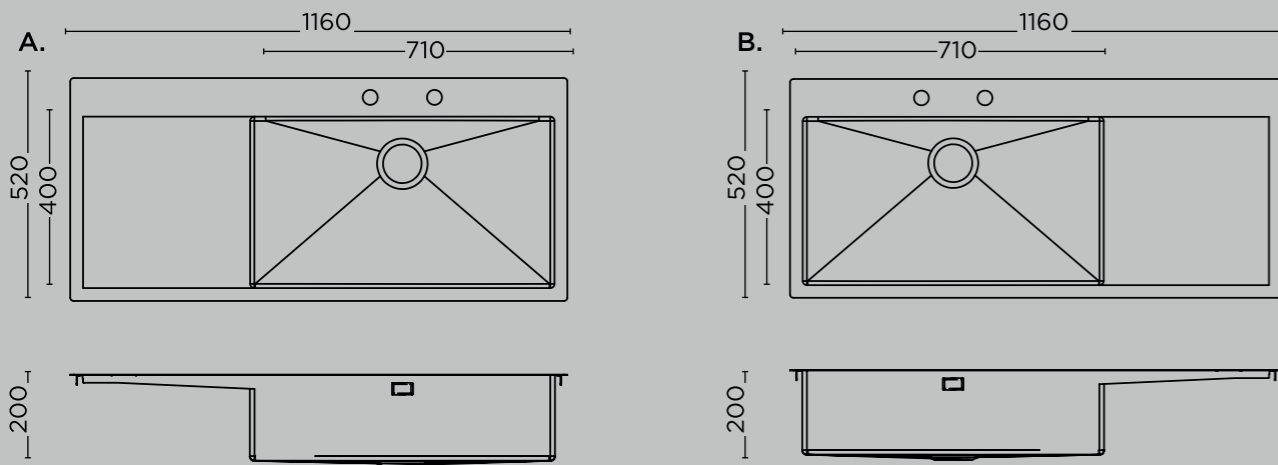
GERMAN DESIGN SINGLE BOWL WITH DRAINER
- RH & LH



MODEL CODE

A. D 100 XL LH B. D 100 XL RH

DIMENSIONS (mm)





INTRODUCING
REGE COLLECTION



REGE SERIES

STEEL GRADE AISI 304

- Reversible drainer option.
- Zero radius.

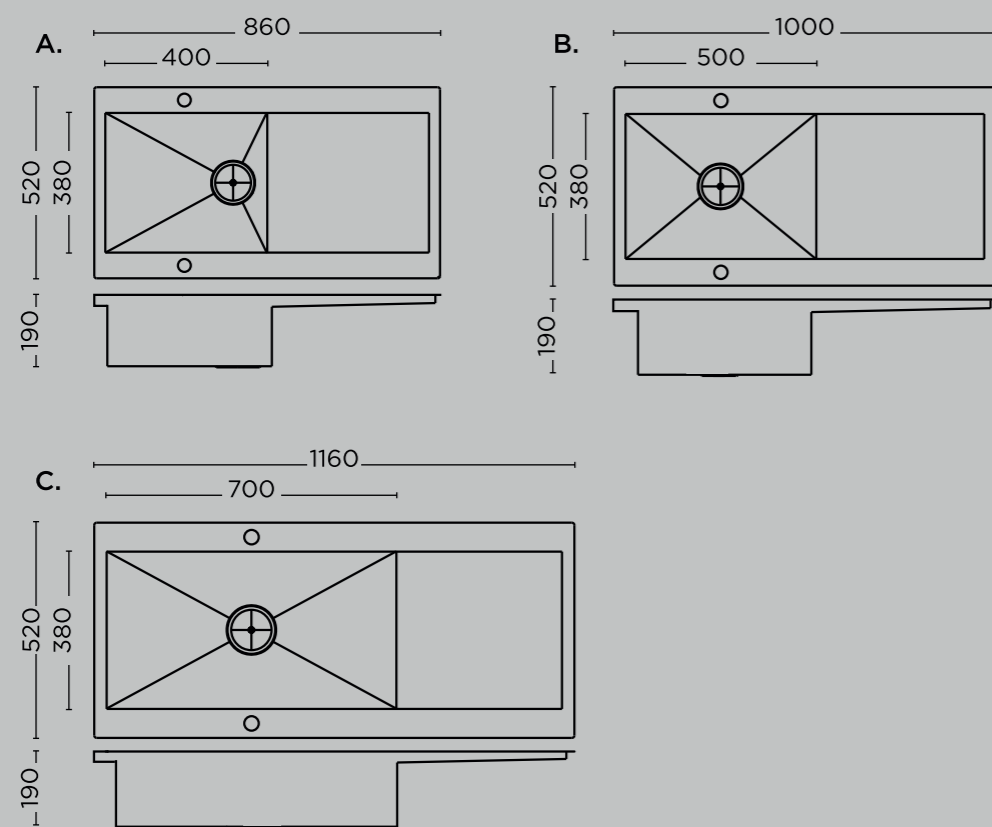
REGE SINGLE BOWL WITH DRAINER



MODEL CODE

A. D 100 B. D 100 L C. D 100 XL

DIMENSIONS (mm)



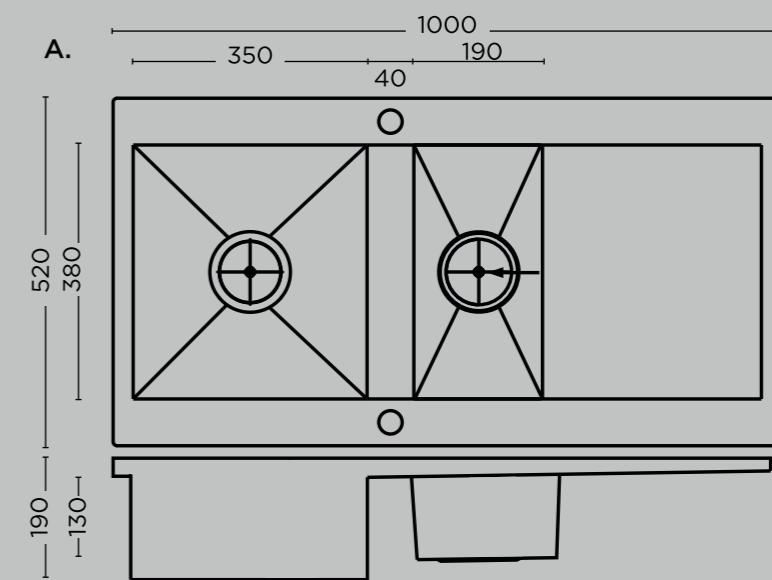
REGE ONE AND HALF BOWL WITH DRAINER



MODEL CODE

A. D 150

DIMENSIONS (mm)



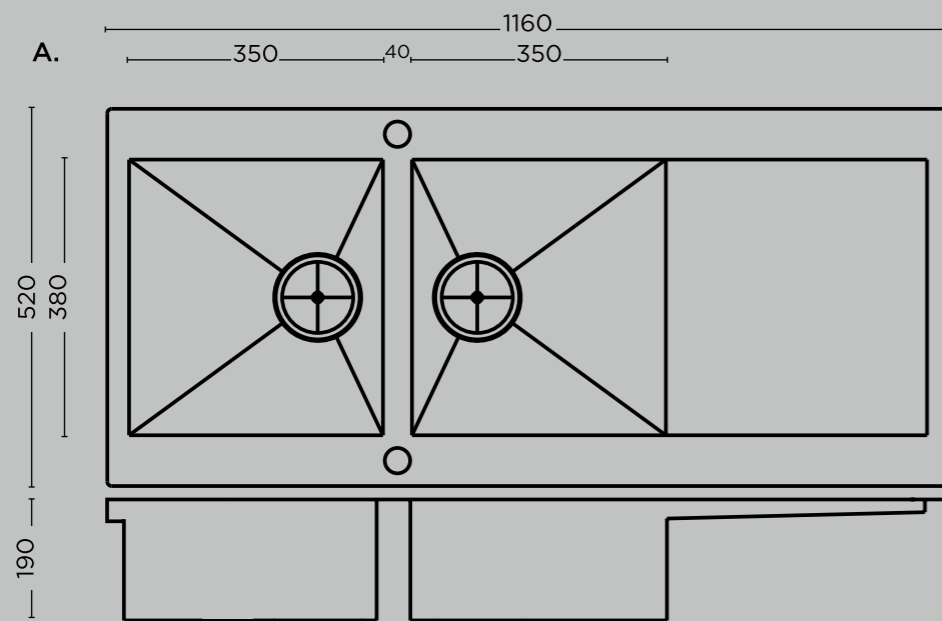
REGE DOUBLE BOWL WITH DRAINER



MODEL CODE

A. D 200

DIMENSIONS (mm)





INTRODUCING
POLO COLLECTION



POLO SERIES

STEEL GRADE AISI 304

- Special design polo ball feature on drainer.
- Zero radius.

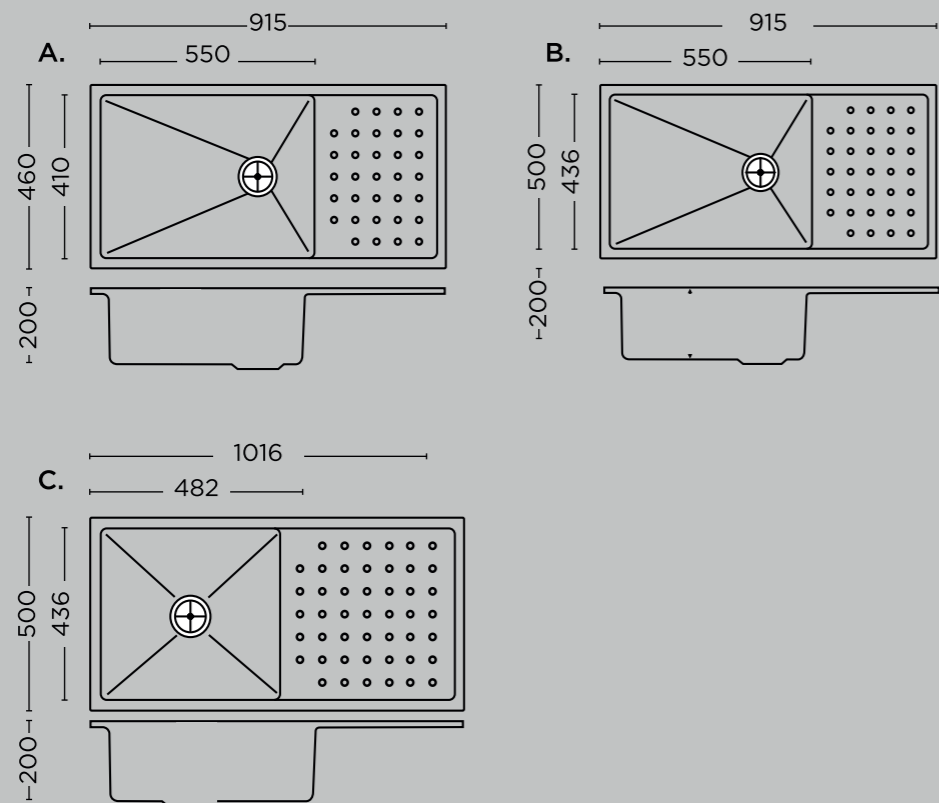
POLO SINGLE BOWL WITH DRAINER



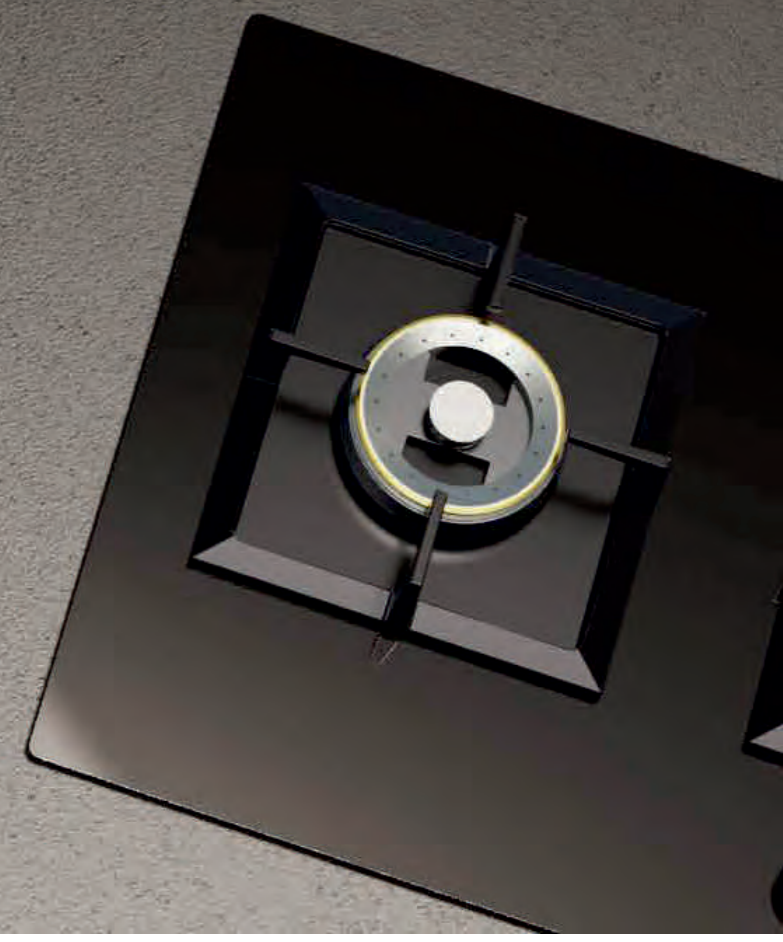
MODEL CODE

A. 36 x 18 x 8 **B.** 36 x 20 x 8 **C.** 40 x 20 x 8

DIMENSIONS (mm)



INTRODUCING
STEP UP SINK





STEP UP SINK

STEEL GRADE AISI 304

- Contemporary box shaped design.
- Zero Radius.

STEP UP SINK

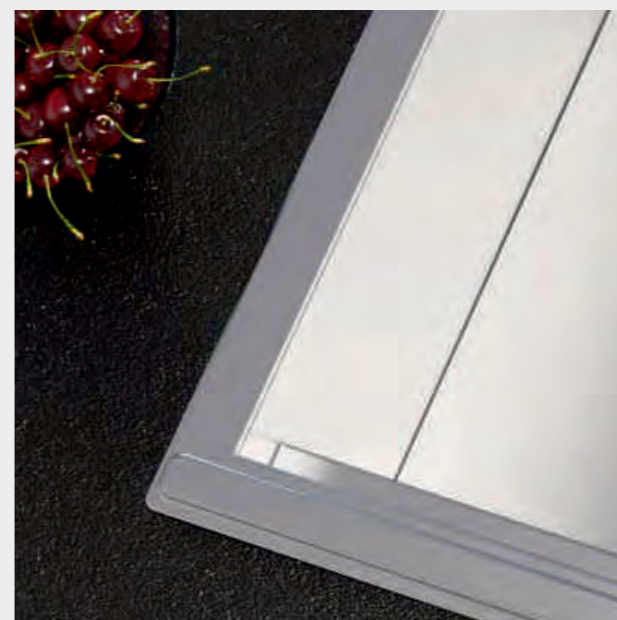
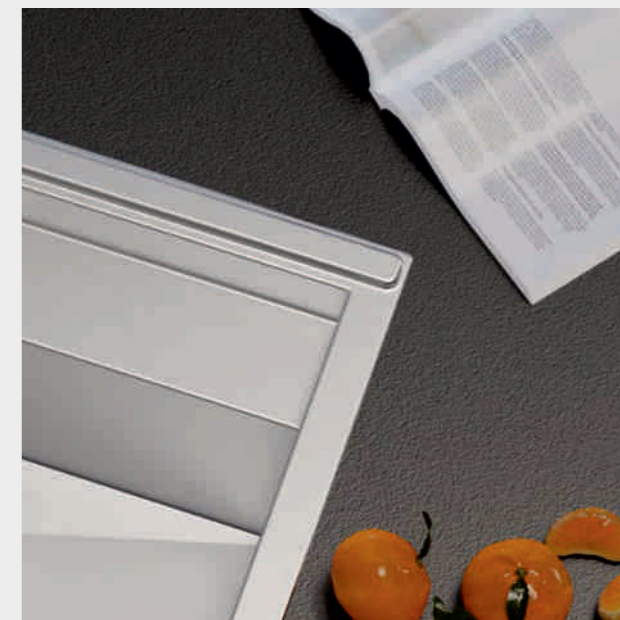
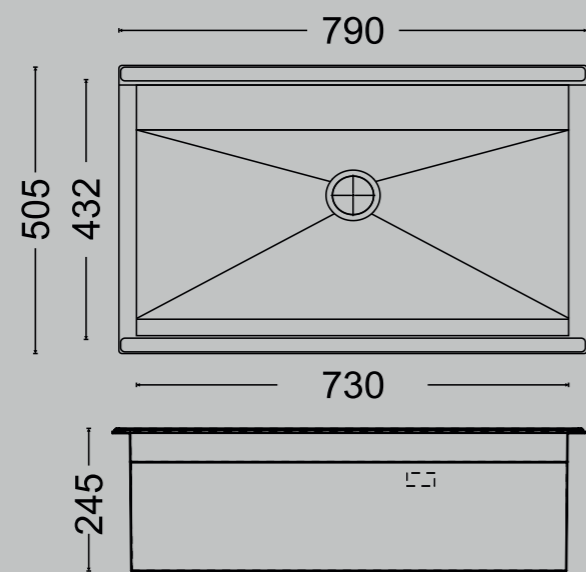


MODEL CODE

A. 31 x 20 x 10

DIMENSIONS (mm)

A.





INTRODUCING
AVENGER
COLLECTION



AVENGER

STEEL GRADE AISI 304

With a dedicated space for a chopping board and a wire basket, this truly multi-functional sink saves space while maximising utility.

INNOVATIVE FEATURES

Supplied with Accessories like



Wooden Chopping Board



Colander



Non-flexible Basket Tray



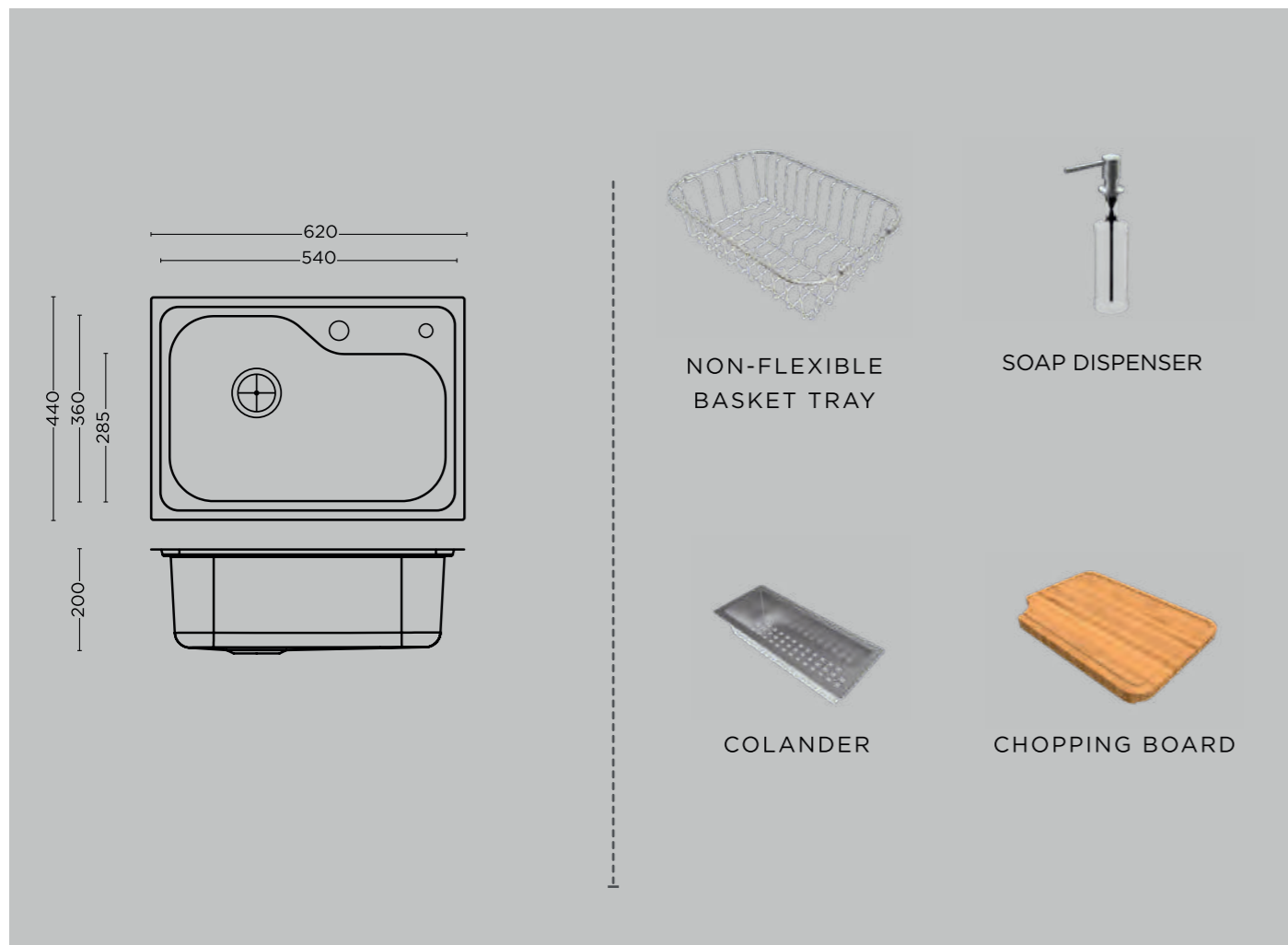
Soap Dispenser

AVENGER SINGLE BOWL



DIMENSIONS (mm)

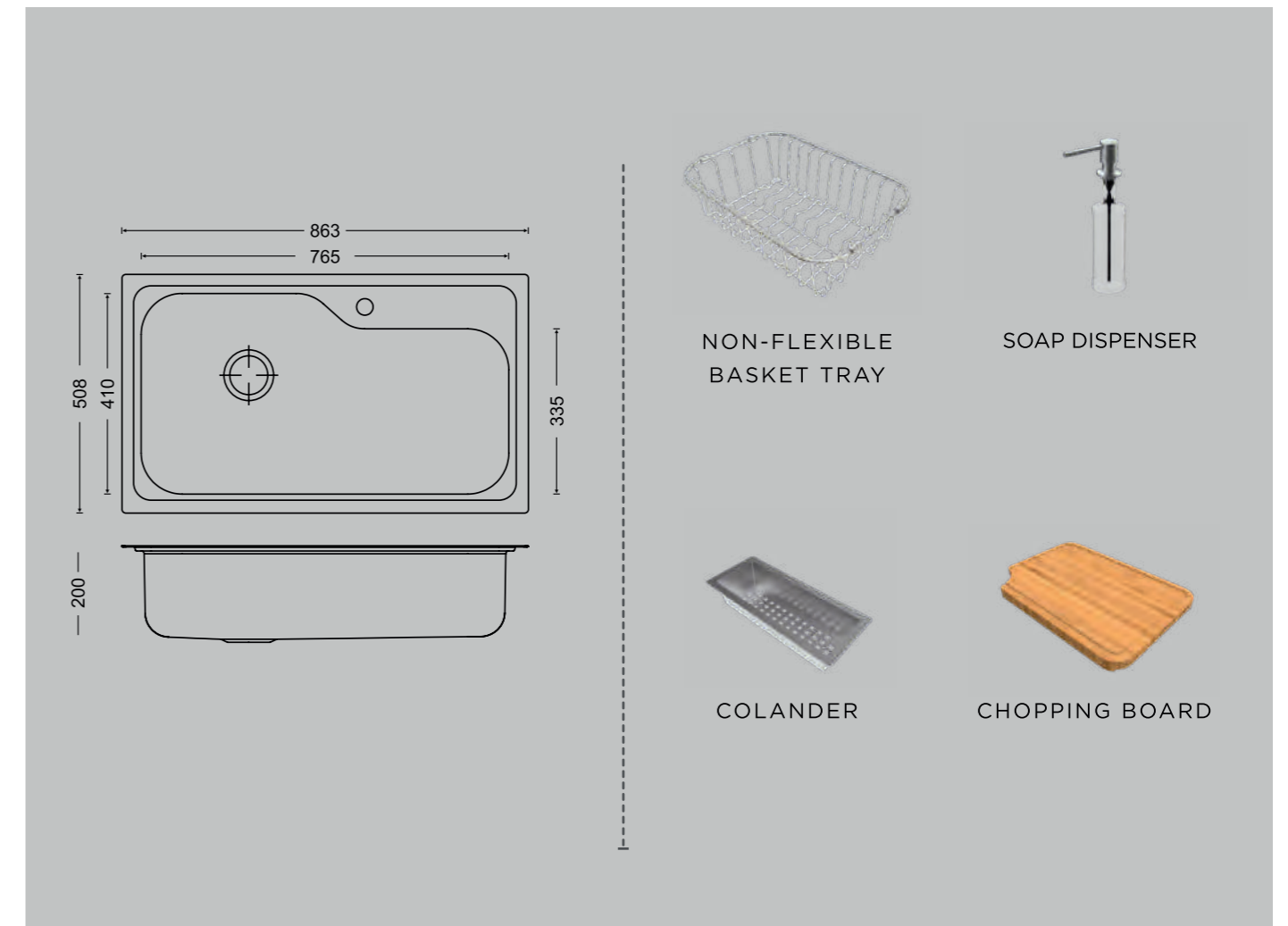
ACCESSORIES



AVENGER SINGLE BOWL



DIMENSIONS (mm)





FAUCET COLLECTION

Bringing professional functionality and style to your kitchen, these faucets are the ultimate companions for your sink.



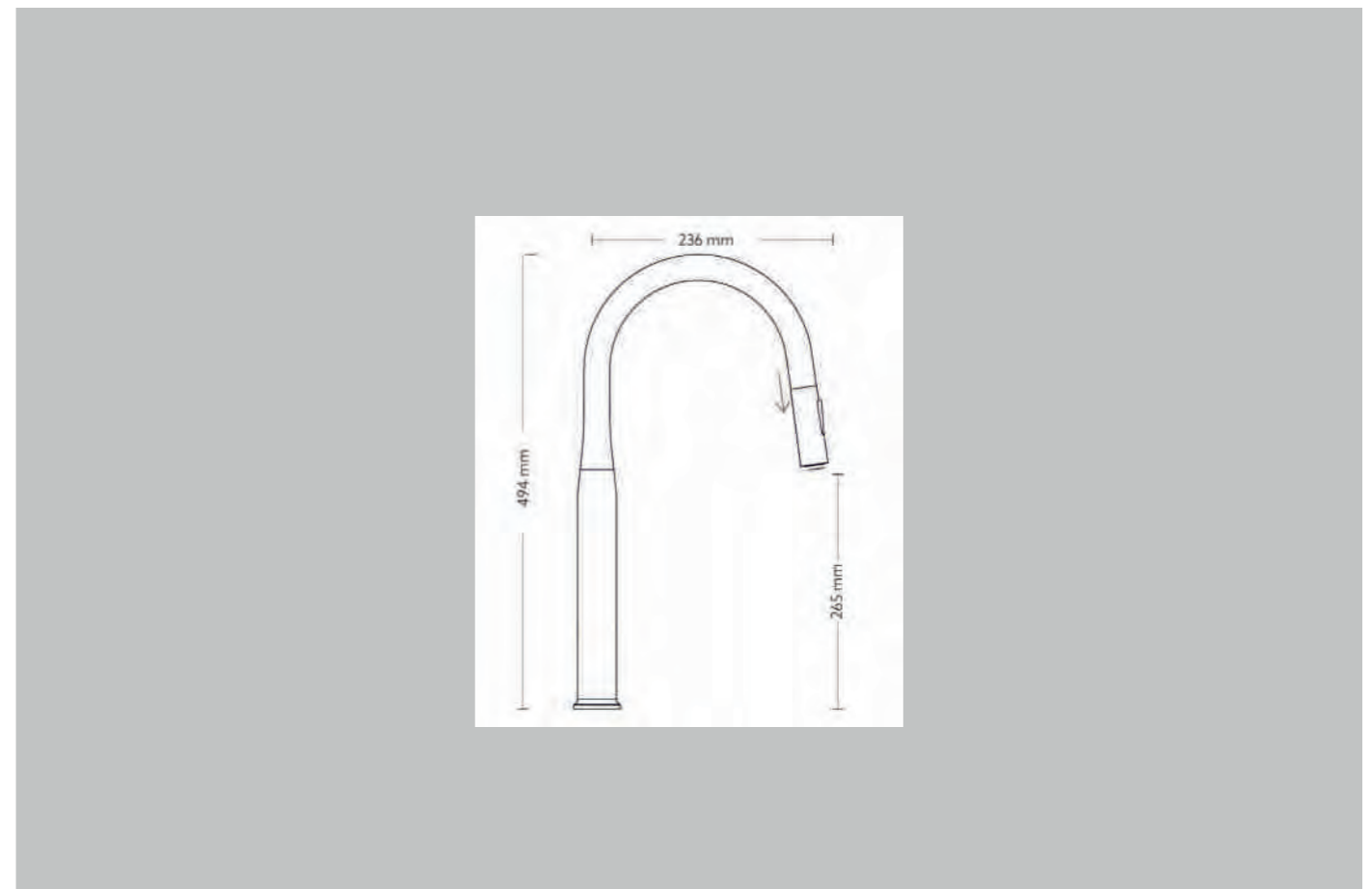
ALA 1512 CHROME

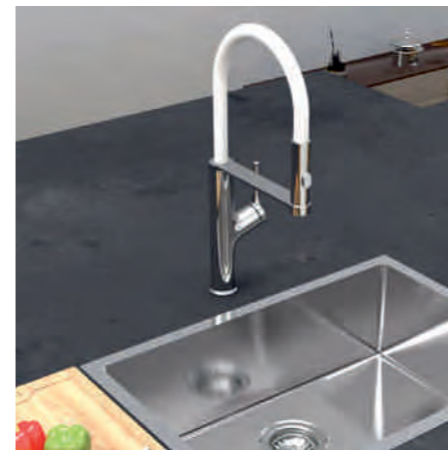


ALA 1512 MATT BLACK



ALA 1512 ROSE GOLD

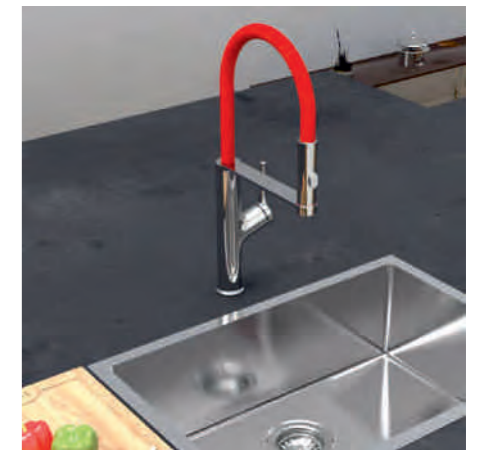




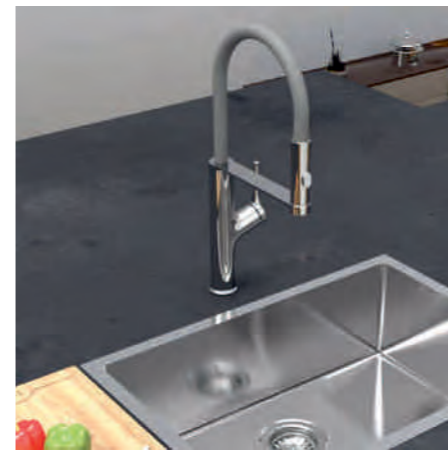
ALA 1511 WHITE



ALA 1511 YELLOW



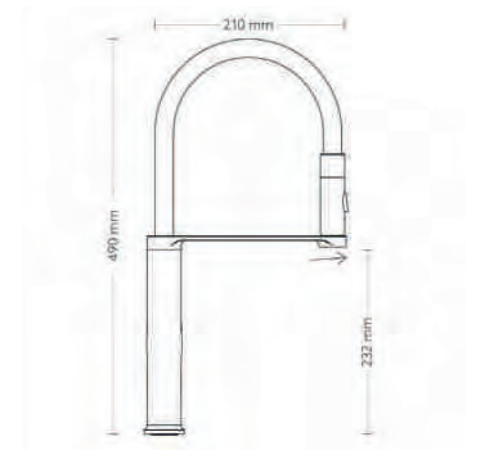
ALA 1511 RED



ALA 1511 GREY



ALA 1511 BLACK

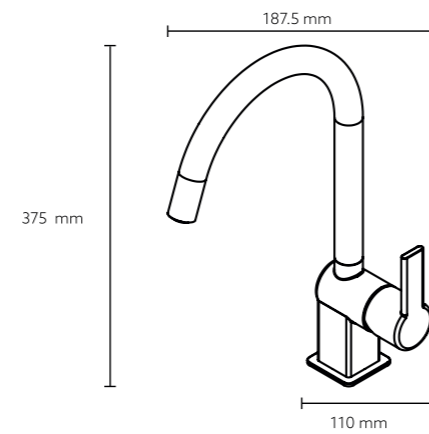


ALA 1512 CHROME

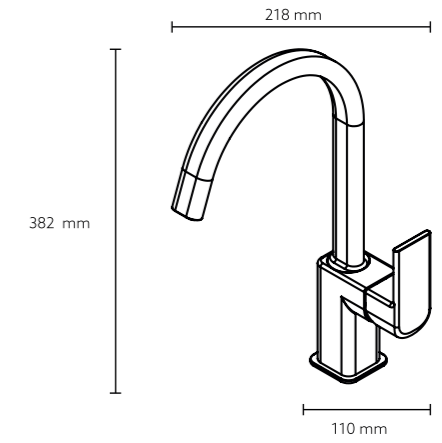




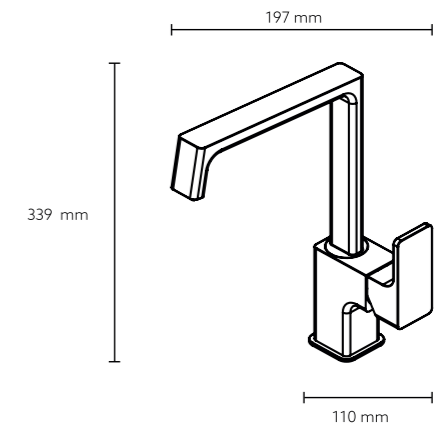
VIVALDI



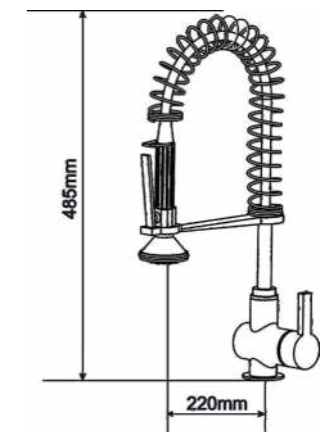
ENIGMA



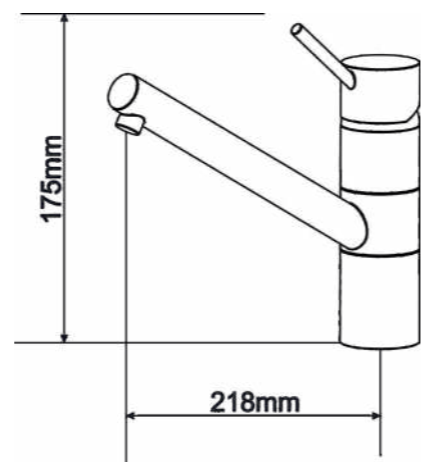
TIP TOE



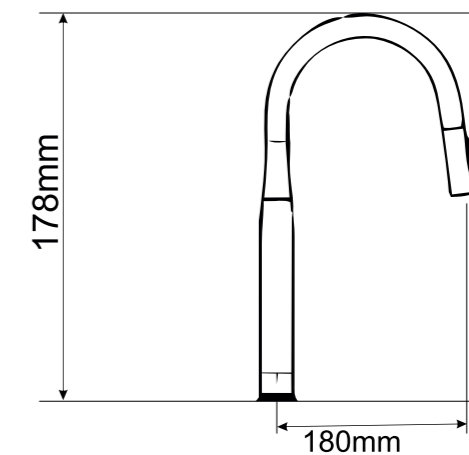
MAXIMUS



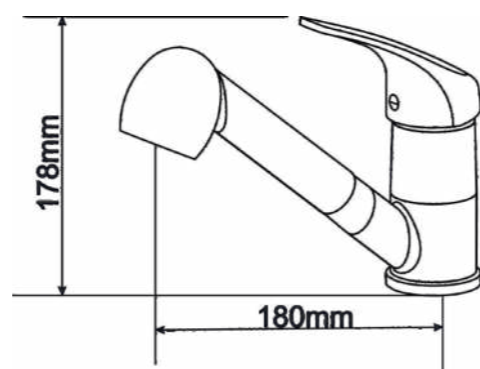
ALA 1509



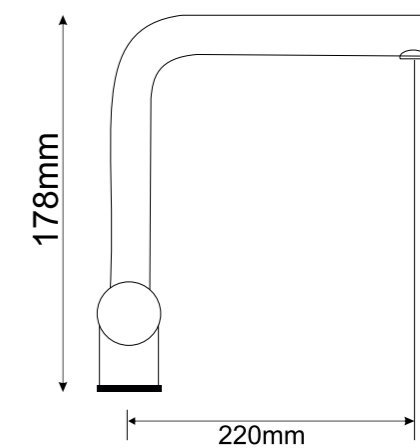
INOX 100



ATOMIX



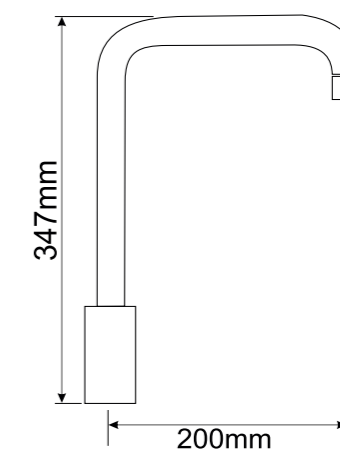
INOX 101



WATER DISPENSER



INOX 102

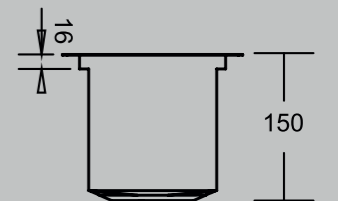
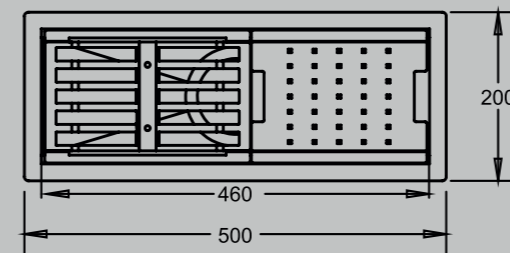
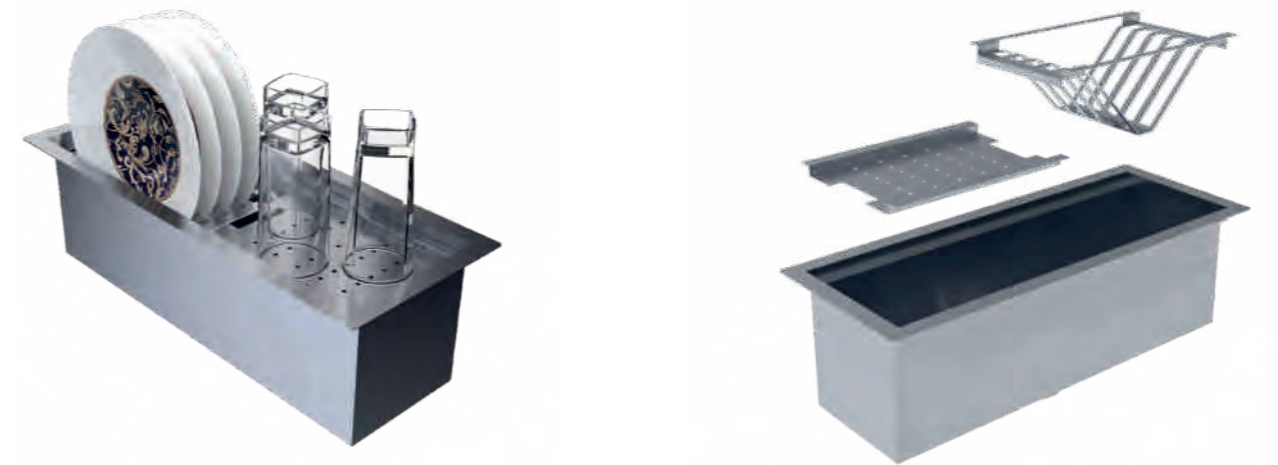




STAINLESS STEEL DRYING
CHANNEL

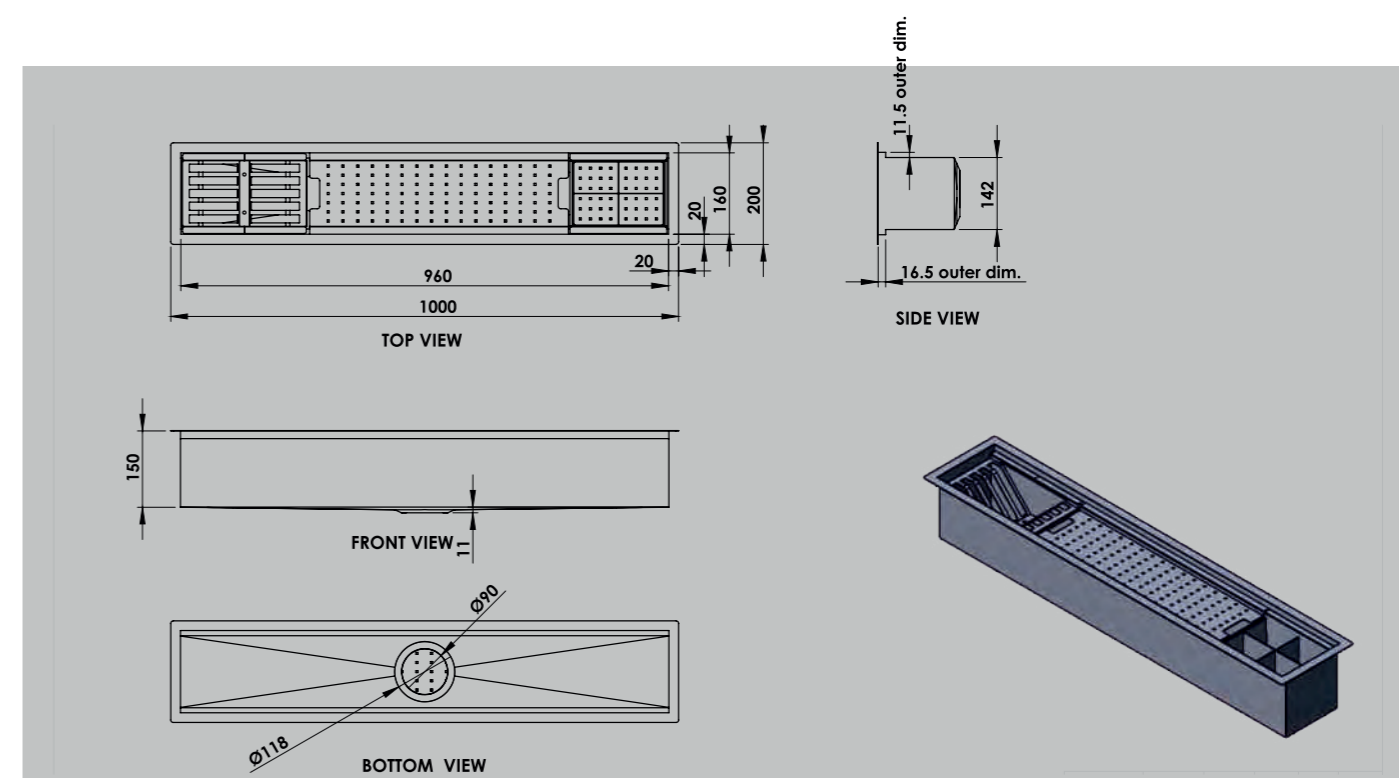
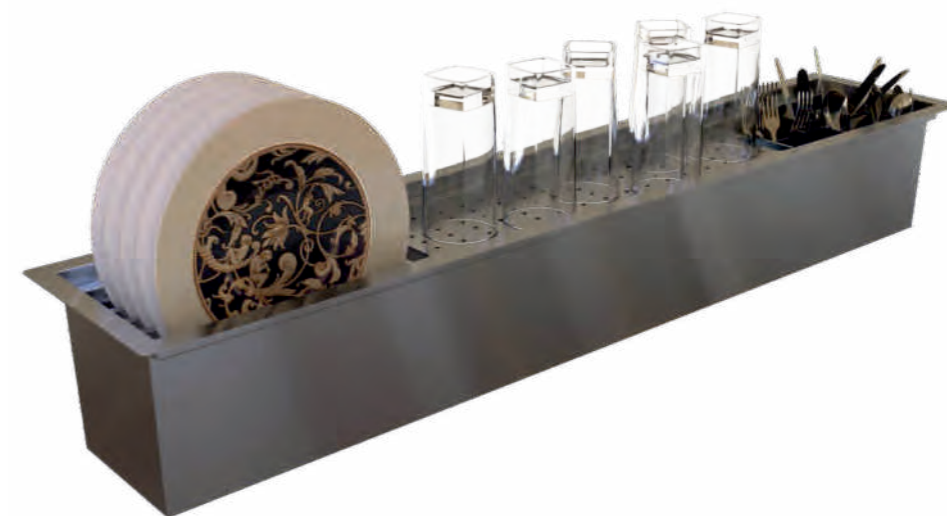
STAINLESS STEEL DRYING CHANNEL 500

Discover everything you need to cook and entertain in style. Presenting our range of accessories to transform your sink into a workstation.



DRYING CHANNEL 1000

Discover everything you need to cook and entertain in style. Presenting our range of accessories to transform your sink into a workstation.



PLANTERS



300mm X 300mm X 500mm



350mm X 350mm X 600mm



400mm X 400mm X 700mm



450mm X 450mm X 800mm

FOOD WASTE DISPOSERS



- Easily attaches to the sink
- Instant food waste management
- No presence of food waste clogging sinks and waterways
- Neat and clean dustbin
- Air in the kitchen stays fresh as there is no presence of foul smell
- Hygienic and sparkling clean kitchen in a short time
- Efficient time management leading to relaxed quality time with family members



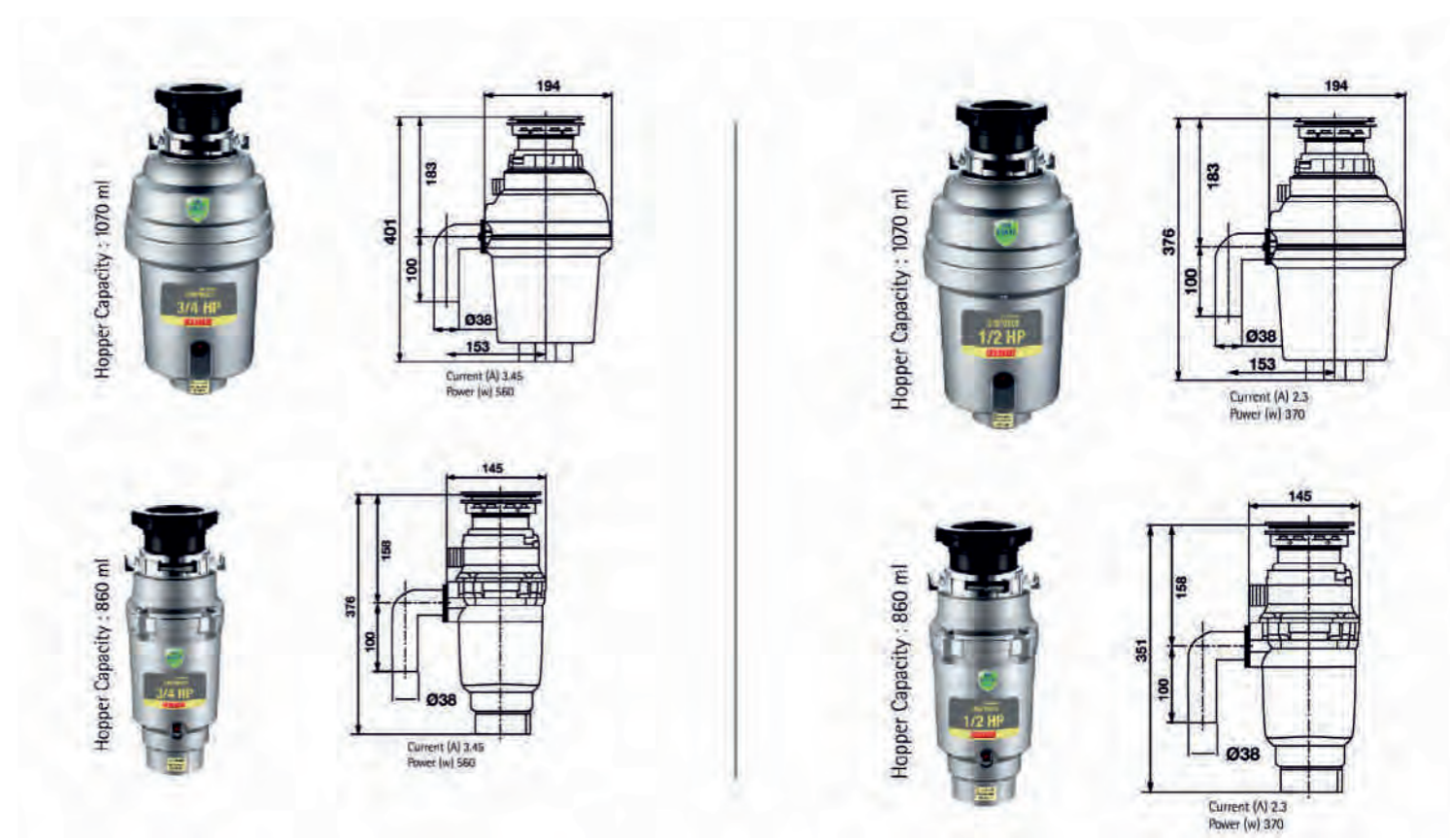
PREVENTS UNPLEASANT



ENVIRONMENTALLY FRIENDLY. LESS USAGE OF PLASTIC BAGS






KEEPS COCKROACHES AND PESTS AWAY



PRODUCT SUMMARY

SINK	SIZE	MINIMUM CABINET SIZE
WORKSTATION (WALTZ SERIES) WALTZ 550 SINK R10 	DIMENSIONS Sink: 550x500 Bowl: 500x400x200	600
WALTZ 610 SINK R10 	DIMENSIONS Sink : 610x507 Bowl: 560x407x200	650
WALTZ 750 SINK R10 	DIMENSIONS Sink : 750x500 Bowl: 700x400x200	800
PVD SINK PMQ 2 	DIMENSIONS Sink : 533x457 Bowl: 483x407x200	550
PMQ 3 	DIMENSIONS Sink : 610x457 Bowl: 560x407x200	600

SINK	SIZE	MINIMUM CABINET SIZE
PMQ 6 	DIMENSIONS Sink : 780x430 Bowl: 750x400x230	800
PMQ 9 	DIMENSIONS Sink : 860x430 Bowl: 400x400x200 Second Bowl : 400x400x200	900
PMQ 10 	DIMENSIONS Sink : 430x430 Bowl: 400x400x200	500
APRON STRAIGHT 	DIMENSIONS Sink : 837x557 Bowl: 787x457x240	900
APRON FRONT 	DIMENSIONS Sink : 837x557 Bowl: 787x457x240	900

SINK	SIZE	MINIMUM CABINET SIZE
<p>MICRO RADIUS</p> <p>MICRO RADIUS R10 SINGLE BOWL</p> 	<p>DIMENSIONS</p> <p>Sink : 430x430</p> <p>Bowl: 400x400x200</p> <p>Sink : 530x430</p> <p>Bowl: 500x400x200</p> <p>Sink : 533x457</p> <p>Bowl: 483x407x200</p> <p>Sink : 610x457</p> <p>Bowl: 560x407x200</p> <p>Sink : 680x430</p> <p>Bowl: 650x400x225</p> <p>Sink : 780x430</p> <p>Bowl: 750x400x225</p>	<p>450</p> <p>550</p> <p>600</p> <p>650</p> <p>750</p> <p>850</p>
<p>MICRO RADIUS R10 SINGLE BOWL WITH DRAINER</p> 	<p>DIMENSIONS</p> <p>Sink : 915x457</p> <p>Bowl: 565x407x200</p> <p>Sink : 1017x500</p> <p>Bowl: 483x436x200</p>	<p>650</p> <p>550</p>
<p>MICRO RADIUS R10 ONE AND HALF BOWL & DOUBLE BOWL</p> 	<p>DIMENSIONS</p> <p>Sink : 580x430</p> <p>One Bowl: 340x400x200</p> <p>Second Bowl: 180x400x140</p> <p>Sink : 860x430</p> <p>Bowl: 400x400x200</p> <p>Sink : 1143x508</p> <p>One Bowl: 533x457x230</p> <p>Second Bowl: 533x457x230</p>	<p>650</p> <p>900</p>

SINK	SIZE	MINIMUM CABINET SIZE
<p>MICRO RADIUS R10 DOUBLE BOWL</p> 	<p>DIMENSIONS</p> <p>Sink: 1140x507</p> <p>Bowl: 533x407x200</p>	<p>1200</p>
<p>MICRO RADIUS WALTZ</p> 	<p>DIMENSIONS</p> <p>Sink : 533x517</p> <p>Bowl: 483x407x200</p> <p>Sink : 610x517</p> <p>Bowl: 560x407x200</p> <p>Sink : 700x510</p> <p>Bowl: 650x400x200</p> <p>Sink : 800x520</p> <p>Bowl: 750x400x200</p>	<p>600</p> <p>650</p> <p>750</p> <p>850</p>
<p>MICRO RADIUS WALTZ ONE & HALF AND TWO BOWL</p> 	<p>DIMENSIONS</p> <p>Sink : 600x510</p> <p>One Bowl: 340x400x200</p> <p>Second Bowl: 180x400x140</p> <p>Sink : 880x510</p> <p>One Bowl: 400x400x200</p> <p>Second Bowl: 400x400x200</p>	<p>650</p> <p>950</p>

SINK

QUADRO SINGLE BOWL



SIZE

DIMENSIONS

- Sink : 430x430
- Bowl: 400x400x200
- Sink : 457x406
- Bowl: 407x356x200
- Sink : 508x432
- Bowl: 458x382x200
- Sink : 550x450
- Bowl: 500x400x200
- Sink : 533x457
- Bowl: 483x407x200
- Sink : 533x457
- Bowl: 483x407x225
- Sink : 610x457
- Bowl: 560x407x200
- Sink : 610x457
- Bowl: 560x407x225
- Sink : 762x457
- Bowl: 712x407x200

MINIMUM
CABINET
SIZE

- 500
- 500
- 550
- 600
- 600
- 600
- 650
- 650
- 800

QUADRO SINGLE BOWL WITH DRAINER



DIMENSIONS

- Sink : 915x460
- Bowl: 550x410x200
- Sink : 915x460
- Bowl: 550x410x225
- Sink : 1016x500
- Bowl: 482x436x200
- Sink : 1016x500
- Bowl: 482x436x225
- Sink : 1143x500
- Bowl: 560x436x225

- 600
- 600
- 550
- 550
- 600

SINK

QUADRO DOUBLE BOWL



SIZE

DIMENSIONS

- Sink : 860x500
- One Bowl: 380x450x200
- Second Bowl: 405x450x200
- Sink : 915x457
- Bowl: 420x407x200
- Sink : 1016x500
- Bowl: 470x450x200
- Sink : 1143x500
- Bowl: 534x450x225

MINIMUM
CABINET
SIZE

- 900
- 950
- 1100
- 1200

QUADRO DOUBLE BOWL WITH DRAINER



DIMENSIONS

- Sink : 1168x500
- Bowl: 357x436x225
- Sink : 1321x500
- One Bowl: 486x436x200
- Second Bowl: 382x436x200

- 800
- 950

QUADRO CLASSIC SINGLE BOWL



DIMENSIONS

- Sink : 457x406
- Bowl: 407x356x200
- Sink : 508x432
- Bowl: 458x382x200
- Sink : 533x457
- Bowl: 483x407x200
- Sink : 610x457
- Bowl: 560x407x200

- 450
- 550
- 550
- 650

QUADRO CLASSIC SINGLE BOWL WITH
DRAINER



DIMENSIONS

- Sink : 915x460
- Bowl: 550x410x200
- Sink : 1016x500
- Bowl: 482x436x200

- 600
- 550

SINK

ELEGANCE

ELEGANCE SINGLE BOWL



SIZE

DIMENSIONS

- Sink : 304x304
- Bowl: 254x254x152
- Sink : 406x406
- Bowl: 355x355x177
- Sink : 457x406
- Bowl: 406x356x177
- Sink : 457x457
- Bowl: 406x406x177
- Sink : 483x406
- Bowl: 406x356x177
- Sink : 508x432
- Bowl: 457x381x200
- Sink : 533x458
- Bowl: 483x407x200
- Sink : 533x458
- Bowl: 483x407x225
- Sink : 559x457
- Bowl: 483x407x200
- Sink : 610x457
- Bowl: 560x406x200
- Sink : 610x457
- Bowl: 560x406x225
- Sink : 610x457
- Bowl: 558x406x254
- Sink : 762x457
- Bowl: 712x407x200
- Sink : 762x457
- Bowl: 712x407x225

MINIMUM
CABINET
SIZE

- 350
- 450
- 500
- 500
- 550
- 550
- 550
- 550
- 550
- 550
- 550
- 550
- 550
- 550
- 550
- 550
- 550
- 600
- 600
- 650
- 650
- 800
- 800

SINK

ELEGANCE SINGLE BOWL

AVAILABLE IN 0.8mm



SIZE

DIMENSIONS

- Sink : 457x406
- Bowl: 406x357x178
- Sink : 483x406
- Bowl: 406x356x178
- Sink : 508x432
- Bowl: 457x381x200
- Sink : 533x458
- Bowl: 483x407x200
- Sink : 610x457
- Bowl: 560x406x200
- Sink : 610x457
- Bowl: 560x406x225

MINIMUM
CABINET
SIZE

- 500
- 500
- 550
- 550
- 650
- 650

ELEGANCE DOUBLE BOWL



DIMENSIONS

- Sink : 864x508
- Bowl: 356x406x200
- Sink : 864x508
- Bowl: 356x406x225
- Sink : 1143x508
- Bowl: 508x407x200
- Sink : 1143x508
- Bowl: 508x407x225
- Sink : 810x500
- One Bowl: 483x406x200

- 900
- 900
- 1200
- 1200
- 900

ELEGANCE WITH FAUCET DECK







DIMENSIONS

- Sink : 457x510
- Bowl: 406x406x200
- Sink : 533x510
- Bowl: 483x406x200
- Sink : 610x510
- Bowl: 558x406x200
- Sink : 762x510
- Bowl: 708x406x200

- 500
- 550
- 650
- 800

SINK	SIZE	MINIMUM CABINET SIZE
<p>VOGUE</p> <p>VOGUE SINGLE BOWL WITH DRAINER</p> 	<p>DIMENSIONS</p> <p>Sink : 686x457</p> <p>Bowl: 402x350x178</p> <p>Sink : 810x457</p> <p>Bowl: 402x350x150</p> <p>Sink : 864x508</p> <p>Bowl: 356x406x200</p> <p>Sink : 916x457</p> <p>Bowl: 406x356x200</p> <p>Sink : 916x505</p> <p>Bowl: 560x407x200</p> <p>Sink : 916x505</p> <p>Bowl: 560x407x225</p> <p>Sink : 1016x505</p> <p>Bowl: 560x407x200</p> <p>Sink : 1016x505</p> <p>Bowl: 560x407x225</p> <p>Sink : 1143x508</p> <p>Bowl: 508x407x250</p>	<p>450</p> <p>450</p> <p>450</p> <p>450</p> <p>600</p> <p>600</p> <p>600</p> <p>600</p> <p>600</p>
<p>VOGUE SINGLE BOWL WITH DRAINER 0.8 MM</p> 	<p>DIMENSIONS</p> <p>Sink : 915x457</p> <p>Bowl: 406x355x200</p> <p>Sink : 915x505</p> <p>Bowl: 560x407x200</p> <p>Sink : 1000x505</p> <p>Bowl: 560x407x200</p>	<p>450</p> <p>600</p> <p>600</p>
<p>VOGUE ONE & HALF AND TWO WITH DRAINER</p> 	<p>DIMENSIONS</p> <p>Sink : 1000x500</p> <p>One Bowl: 355x407x200</p> <p>Second Bowl: 180x320x140</p> <p>Sink : 1168x508</p> <p>Bowl: 340x400x200</p>	<p>600</p> <p>750</p>

SINK	SIZE	MINIMUM CABINET SIZE
<p>AMERICAN DESIGN</p>  	<p>DIMENSIONS</p> <p>Sink : 457x457</p> <p>Bowl: 407x358x254</p> <p>Sink : 635x559</p> <p>Bowl: 584x457x254</p> <p>Sink : 838x559</p> <p>Bowl: 787x457x254</p> <p>Sink : 838x559</p> <p>Bowl: 393x457x254</p>	<p>450</p> <p>650</p> <p>850</p> <p>900</p>
<p>GERMAN DESIGN</p> 	<p>DIMENSIONS</p> <p>Sink : 1160x520</p> <p>Bowl: 710x400x200</p> <p>Sink : 1160x520</p> <p>Bowl: 710x400x200</p> <p>DRAINER AVAILABLE IN LEFT AND RIGHT SIDE</p>	<p>750</p> <p>750</p>
<p>REGE</p> 	<p>DIMENSIONS</p> <p>Sink : 860x520</p> <p>Bowl: 400x380x190</p> <p>Sink : 1000x520</p> <p>Bowl: 500x380x190</p> <p>Sink : 1160x520</p> <p>Bowl: 700x380x190</p>	<p>450</p> <p>550</p> <p>750</p>

SINK

SIZE

MINIMUM
CABINET
SIZE

REGG ONE & HALF AND DOUBLE BOWL
WITH DRAINER



DIMENSIONS
Sink : 1000x520
One Bowl: 350x380x190
Second Bowl : 180x380x130
Sink : 1160x520
Bowl: 350x380x200

650

800

POLO



DIMENSIONS
Sink : 915x460
Bowl: 550x410x200
Sink : 915x500
Bowl: 550x450x200
Sink : 1016x500
Bowl: 482x436x200

600

600

550

STEP UP SINK



DIMENSIONS
Sink : 790x505
Bowl: 730x432x245

800

AVENGER



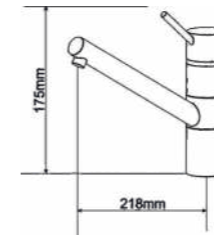
DIMENSIONS
Sink : 620x440
Bowl: 540x360x200
Sink : 863x508
Bowl: 765x410x200

600

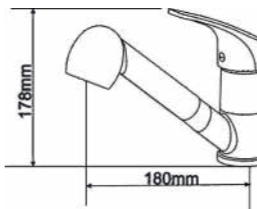
850

FAUCETS

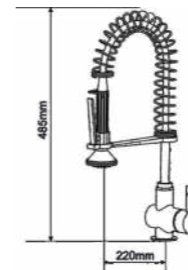
ALA 1509



ATOMIX



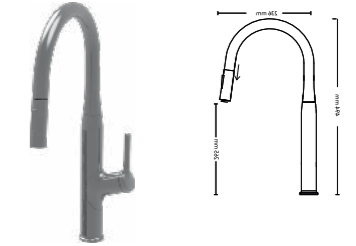
MAXIMUS



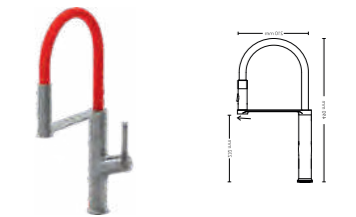
WATER DISPENSER



ALA1512



ALA1511

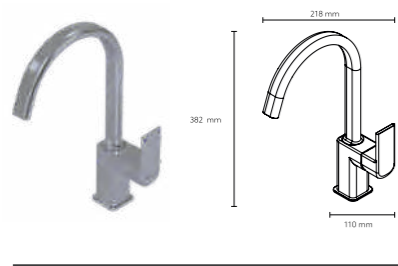


VIVALDI

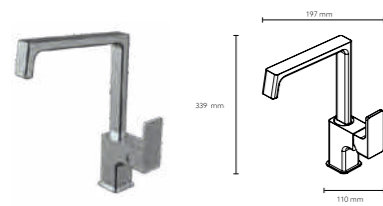


FAUCETS

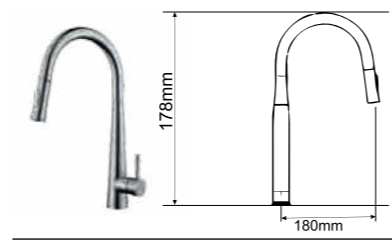
ENIGMA



TIP TOE



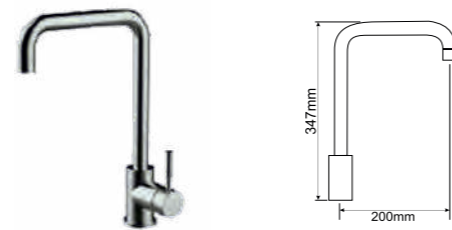
INOX 100



INOX 101



INOX 102



ACCESSORIES

STAINLESS STEEL DRYING CHANNEL



ACCESSORIES

STAINLESS STEEL PLANTERS



DIMENSIONS

450mm X 450mm X 800mm
 400mm X 400mm X 700mm
 350mm X 350mm X 600mm
 300mm X 300mm X 500mm

FWD



CARYSIL

CARYSIL CONTACTS

OFFICES

Factory and Headquarters:

Survey No.312, Bhavnagar-Rajkot
Highway, Navagam, Vartej,
Bhavnagar, Gujarat - 364060, India
T: +91 278 2540218 / 2540893
F: +91-278-2540558
M: info@carysil.com

Registered Office:

A-702, 7th Floor,
Kanakia Wall Street,
Andheri - Kurla Rd,
Chakala, Andheri East,
Mumbai, Maharashtra 400093

Delhi office:

B-30, Okhla Industrial Area
Phase-1, ND-110020
Ph. 85888 48960

Bengaluru:

253/A, Mdr House,
Jayanagar, 7th block,
Kanakapura, Main Road,
Bengaluru - 560 070
Ph. 7406088993

SHOWROOMS

Mumbai:

Unit No.14, B Wing,
Ground Floor,
Laxmi Business Park,
Laxmi Industrial Estate,
New Link Road,
Andheri West,
Mumbai, Maharashtra 400053

Mumbai:

Atria Mall, Unti no. 44,
Ground Floor, Dr.
Annie Besant Road,
Worli, Mumbai - 400018

Ahmedabad:

Stellar, 108 first floor,
Sindhu bhavan marg,
Bodakdev Ahmedabad,
Gujarat - 380054

Bhavnagar:

G-2, Atlanta Building,
Atabhai Road,
Bhavnagar - 364001
T. 91-278- 2225553

Disclaimer:

• Product shown here is only for demonstration purpose, actual product may vary from the product as shown in the catalogue. • Specification of the product may change without any prior intimation. • All the test/performance are according to standard condition. • we are not providing post sales service-24x7. • Color shown is the representative color and may vary from the actual product. • All size in mm are approx.



SCAN TO DOWNLOAD OTHER

CATALOGUES BY CARYSIL

